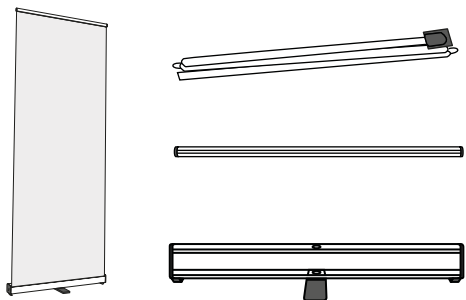


INSTRUCCIONES



CONTENIDO



x1

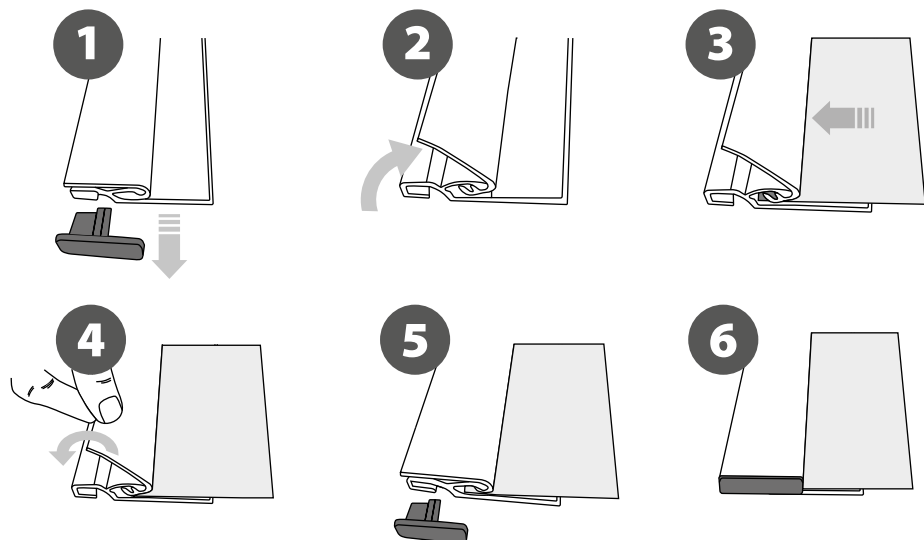
Abra la bolsa, compruebe el contenido de la bolsa y saque todas las piezas con cuidado.

x1

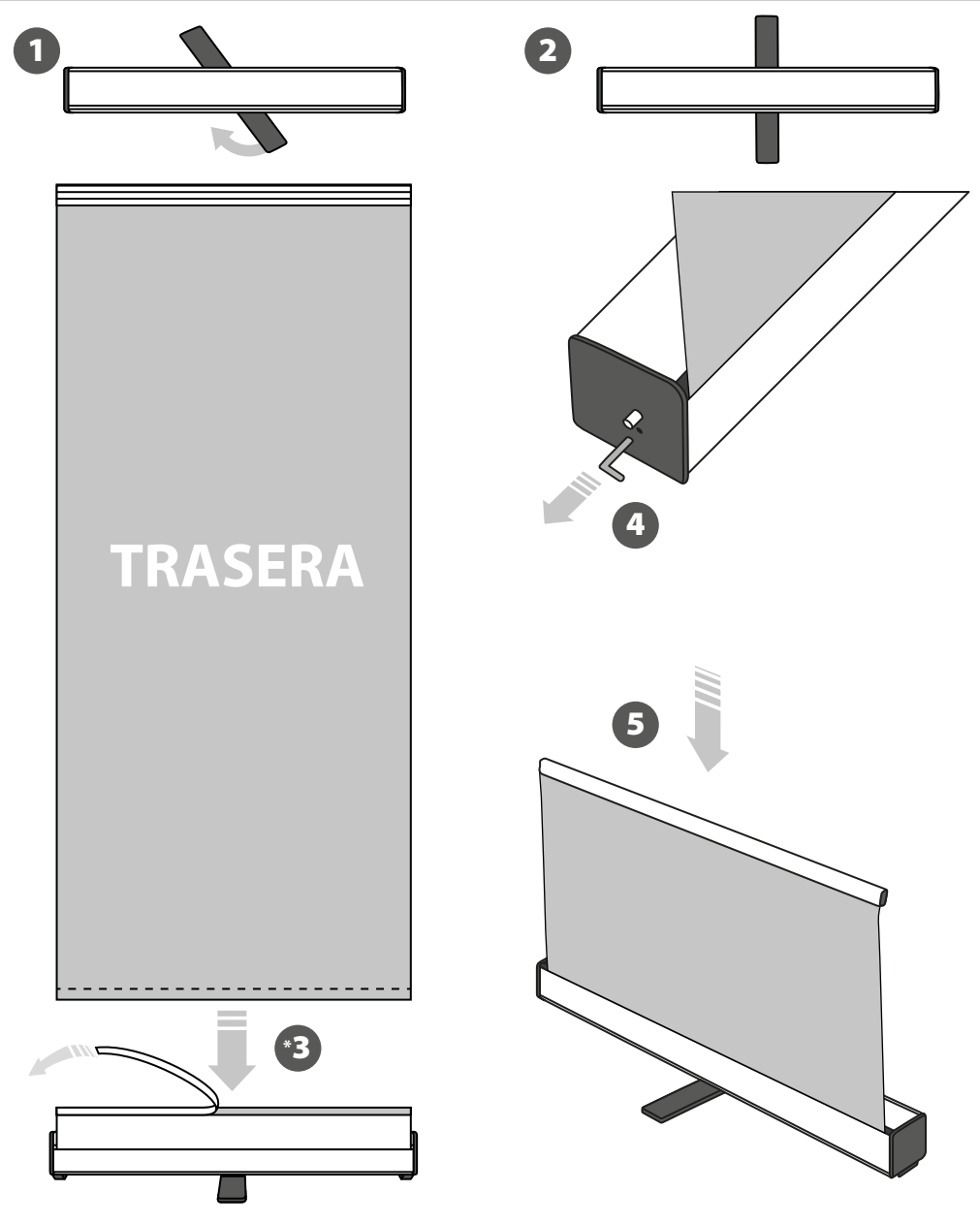
Para configurar el Roll Up, primero debe adjuntar su gráfico (suministrado por separado) al perfil superior siguiendo los siguientes pasos que se muestran a continuación.

x1

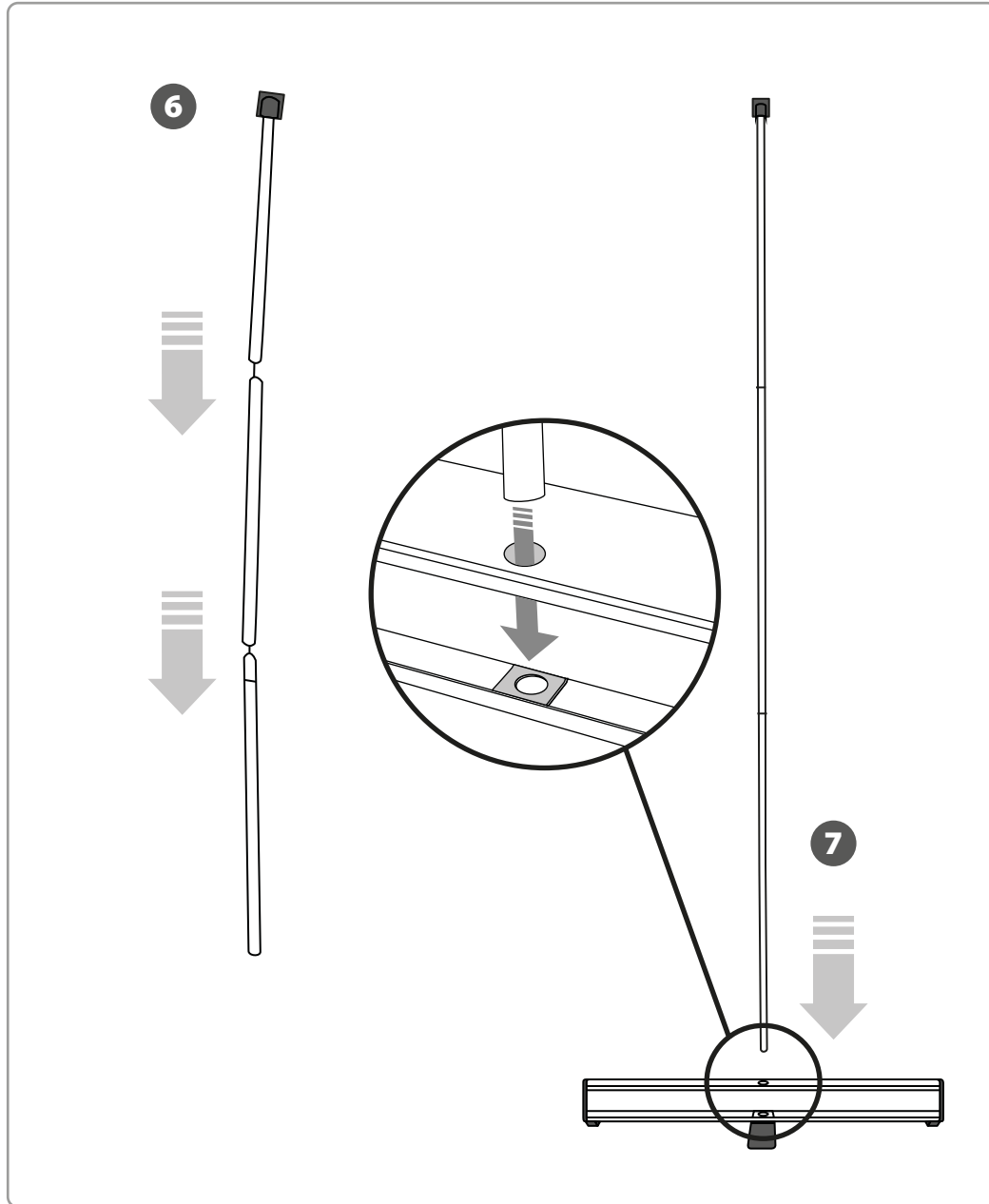
COLOCACION DE LA GRAFICA



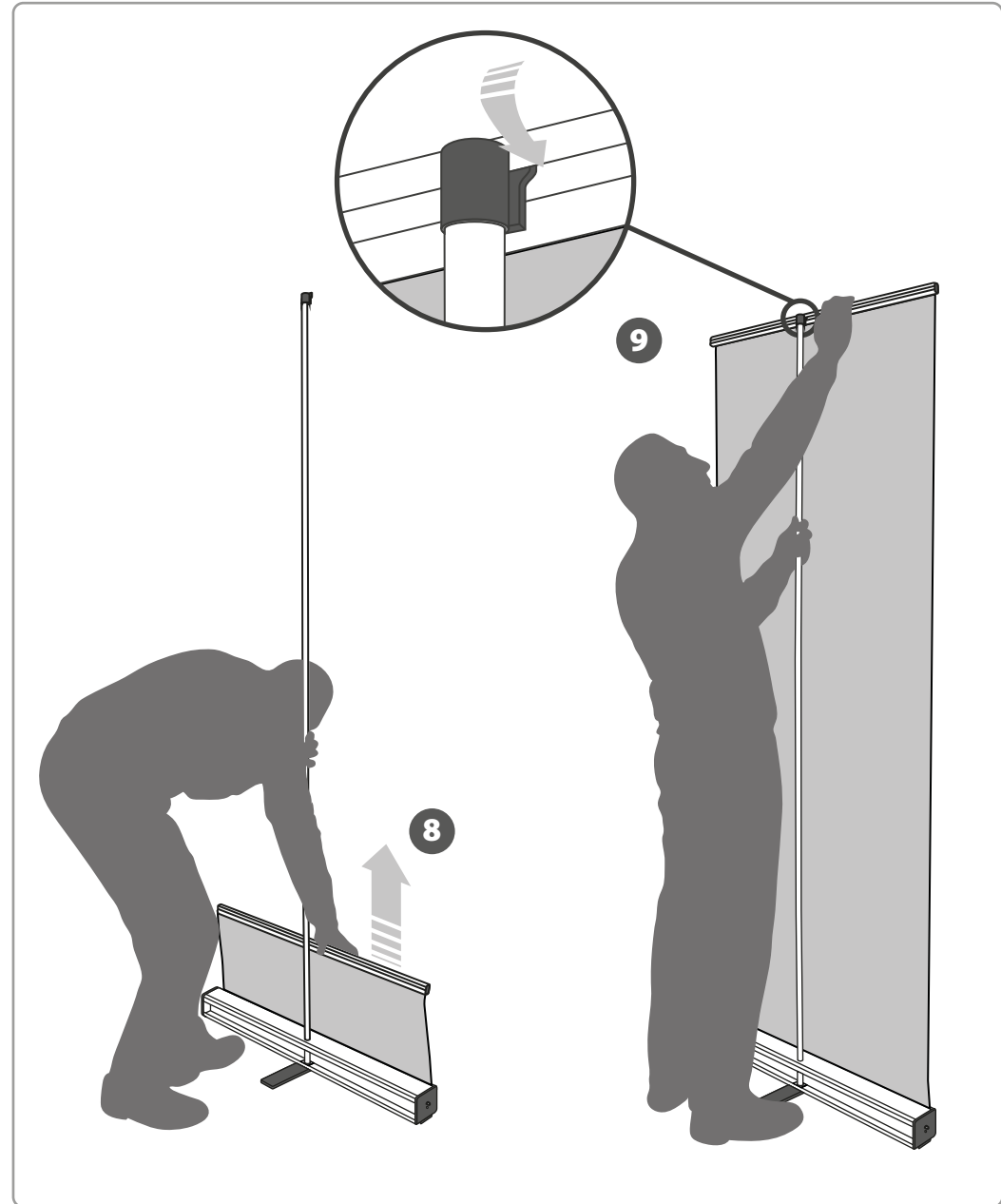
INSTRUCCIONES



INSTRUCCIONES

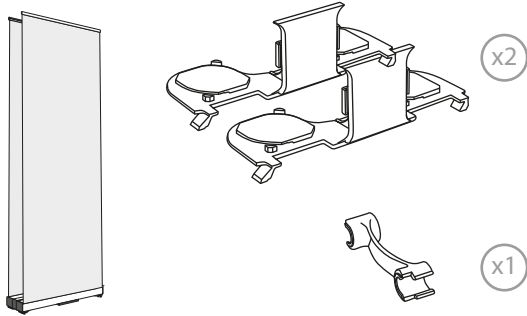


INSTRUCCIONES



1. SETTING UP ROLL UPS

 CONTENT



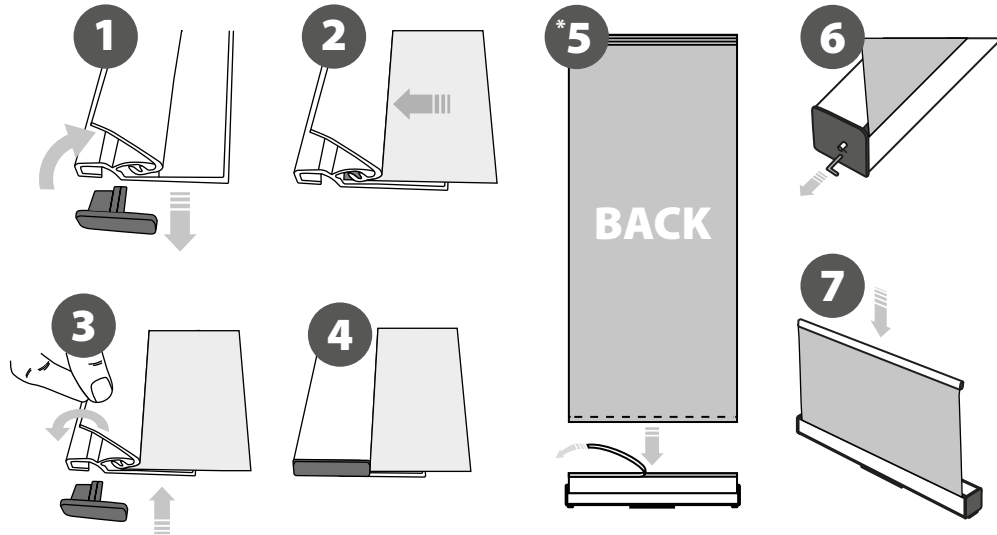
x2

x1

Open the bag, check the content of the bag and take out all the pieces carefully.

Before assemble this Double Sided Kit, you need two Torino Roll Ups (supplied separately) and follow the **steps** showed below to attach the graphic to each Roll Up.

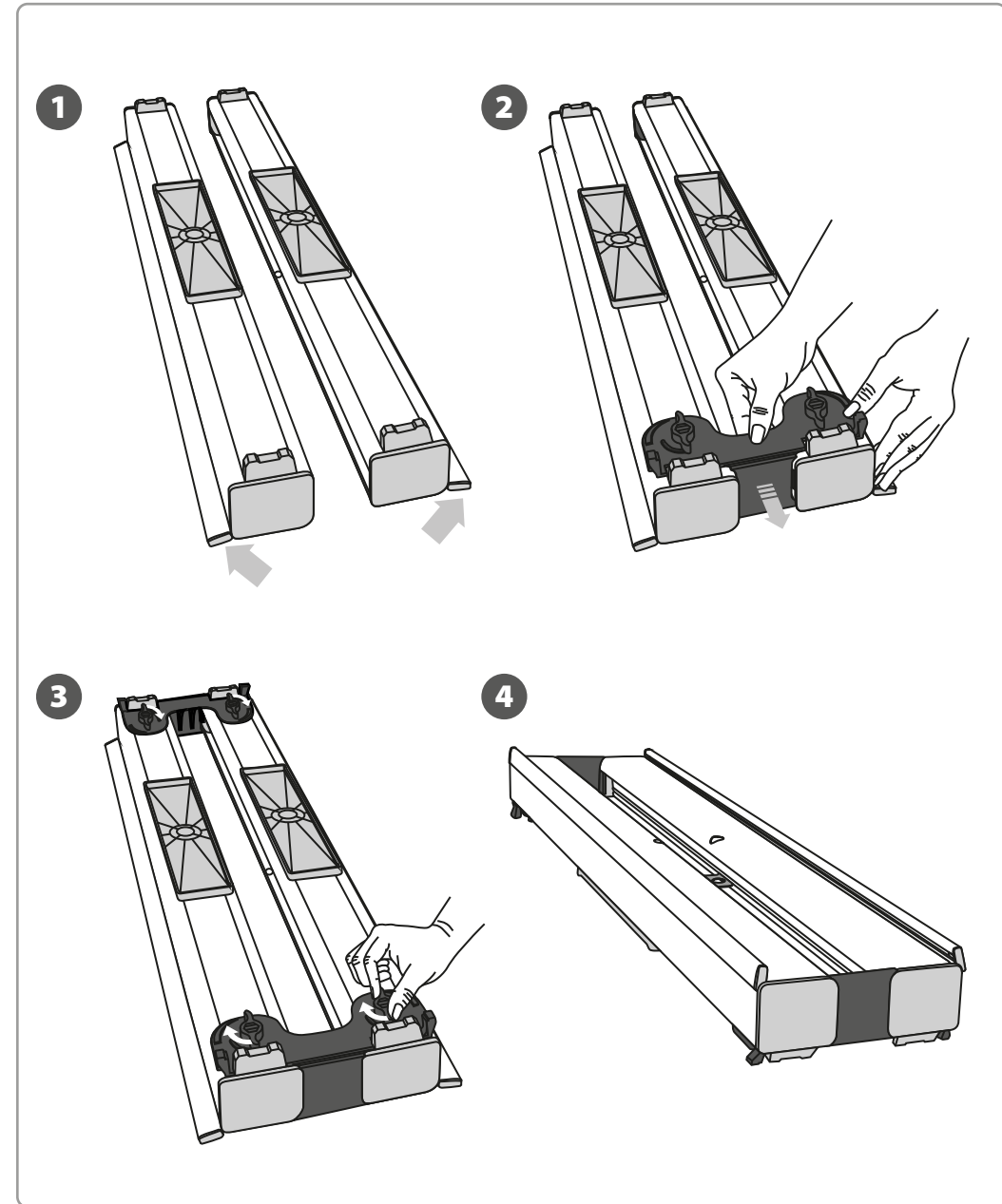
PREVIOUS GRAPHIC ATTACHMENT OF EACH ROLL UP



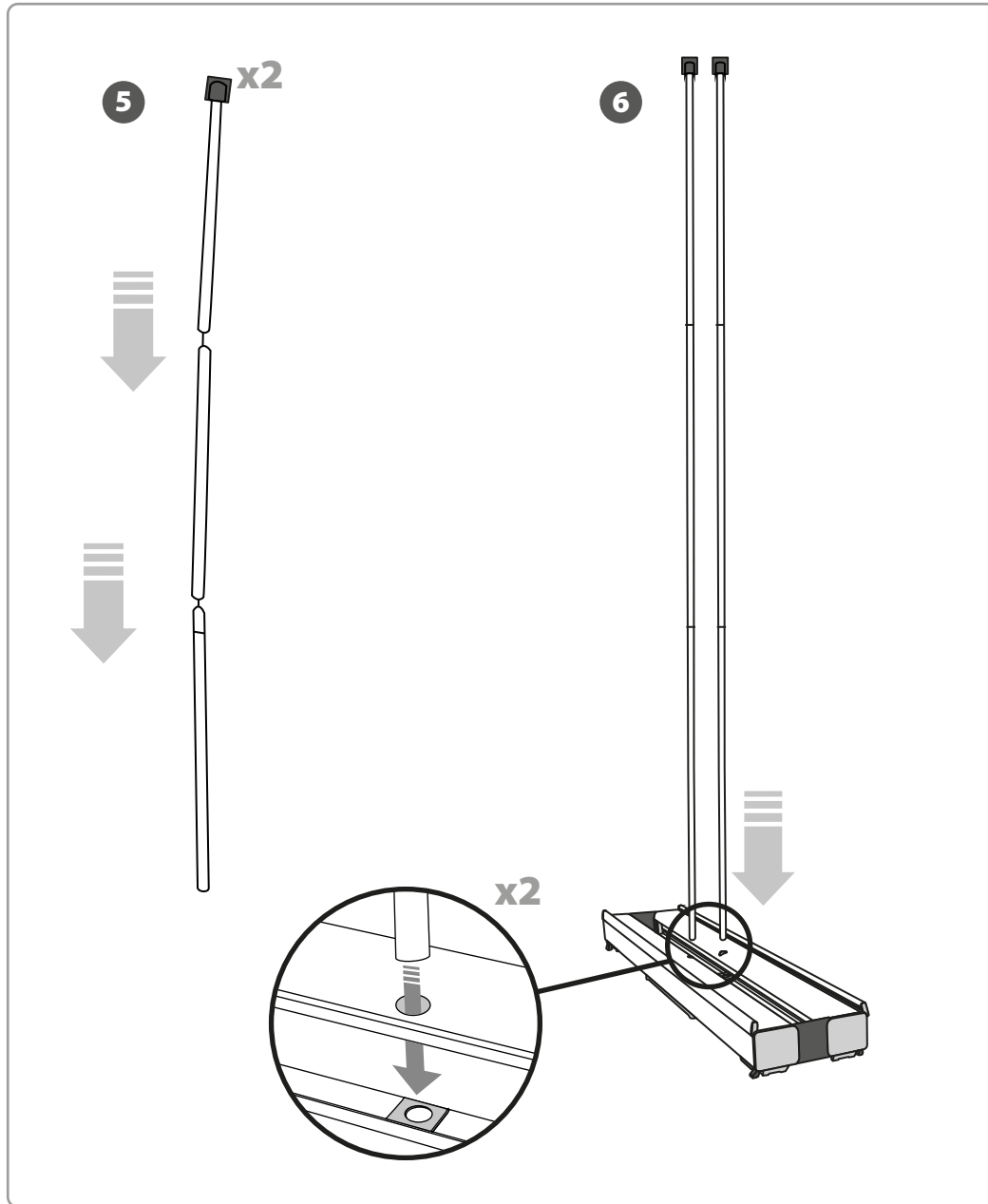
For those cases in which the graphic is **supplied by the client**, we recommend making use of the materials listed in the following **QR code** (scan for downloading Excel file). Please contact us or visit www.cashdisplay.com for more information.



2. JOINING OF TWO BASES



3. GRAPHIC BOTTOM ATTACHMENT



4. ROLLING UP THE GRAPHIC

