

PERFILES PORTA ETIQUETAS

PARA LINEALES Y ESTANTERIAS



CATÁLOGO - SEPTIEMBRE 2021

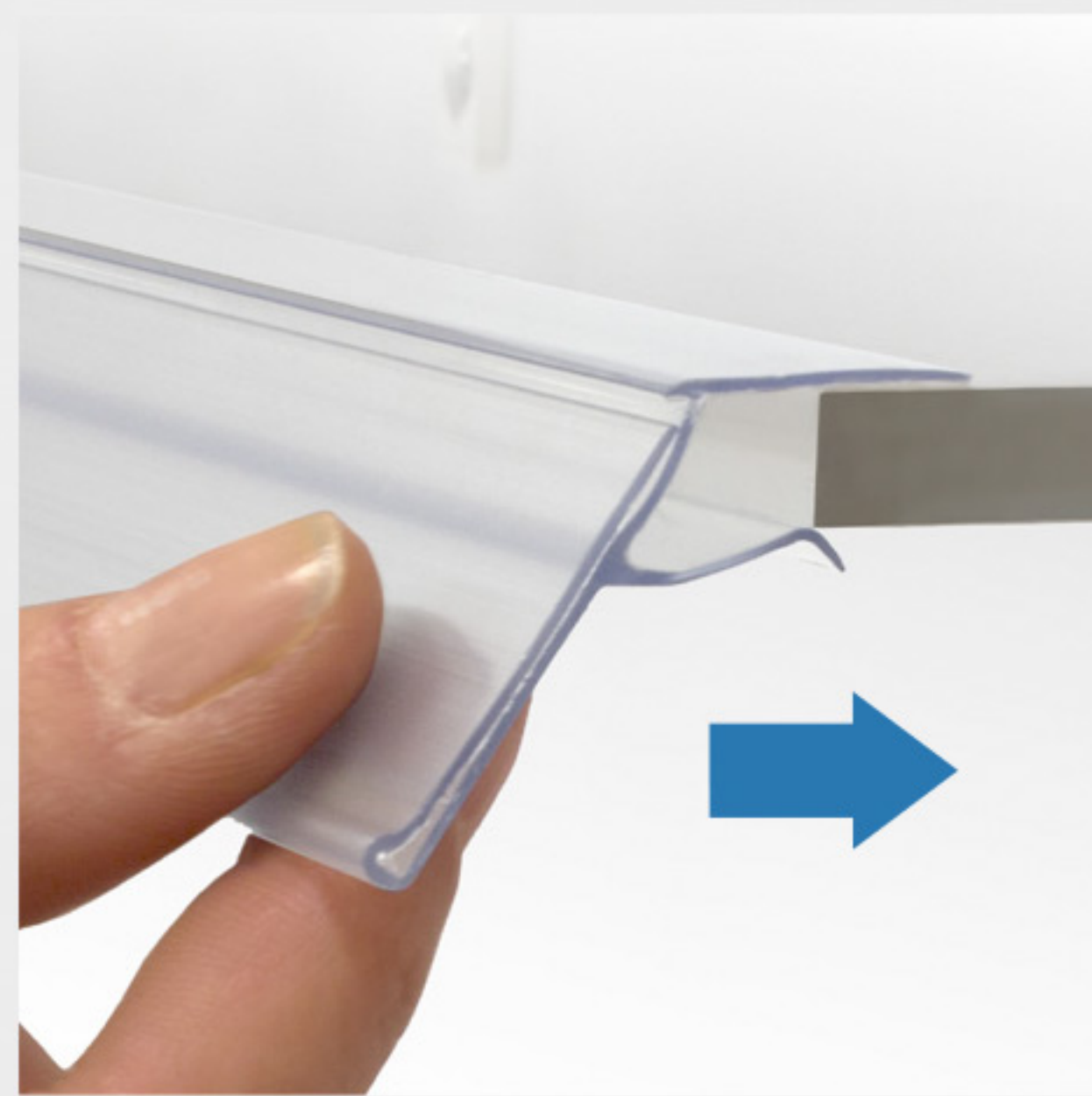
Incluye todas nuestras referencias en perfiles etiqueteros y porta etiquetas que además ahora puede personalizarlos con su diseño y colores corporativos. Sistemas para organizar y mejorar los productos en lineales, y estanterías.



PERFILES



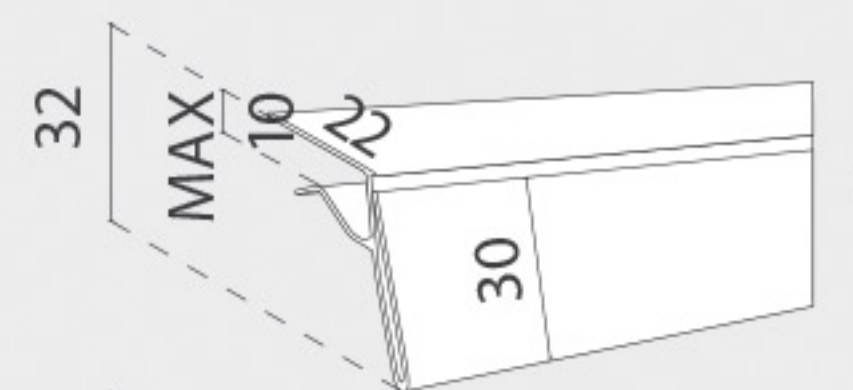
PROFILE DETAILS



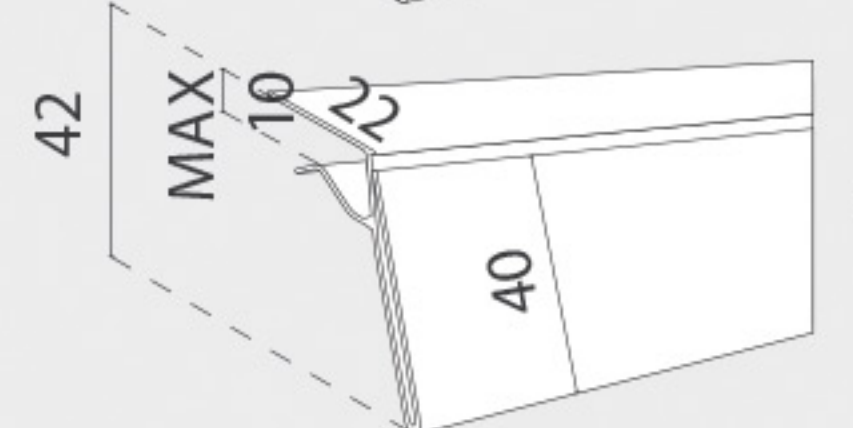
INFORMATION

*mm

This shelf profile is suitable for being used with 30mm or 40mm height labels and it allows to be fitted on most of the standard glass shelves. It is ideal for improving the overall look of the shelf fronts, showcases and for highlighting the promotions of products for sale.



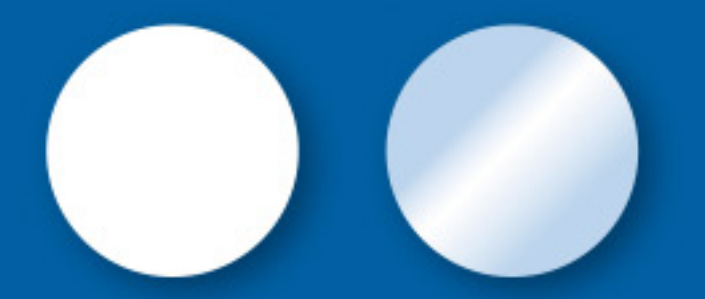
REF
50.265
50.266



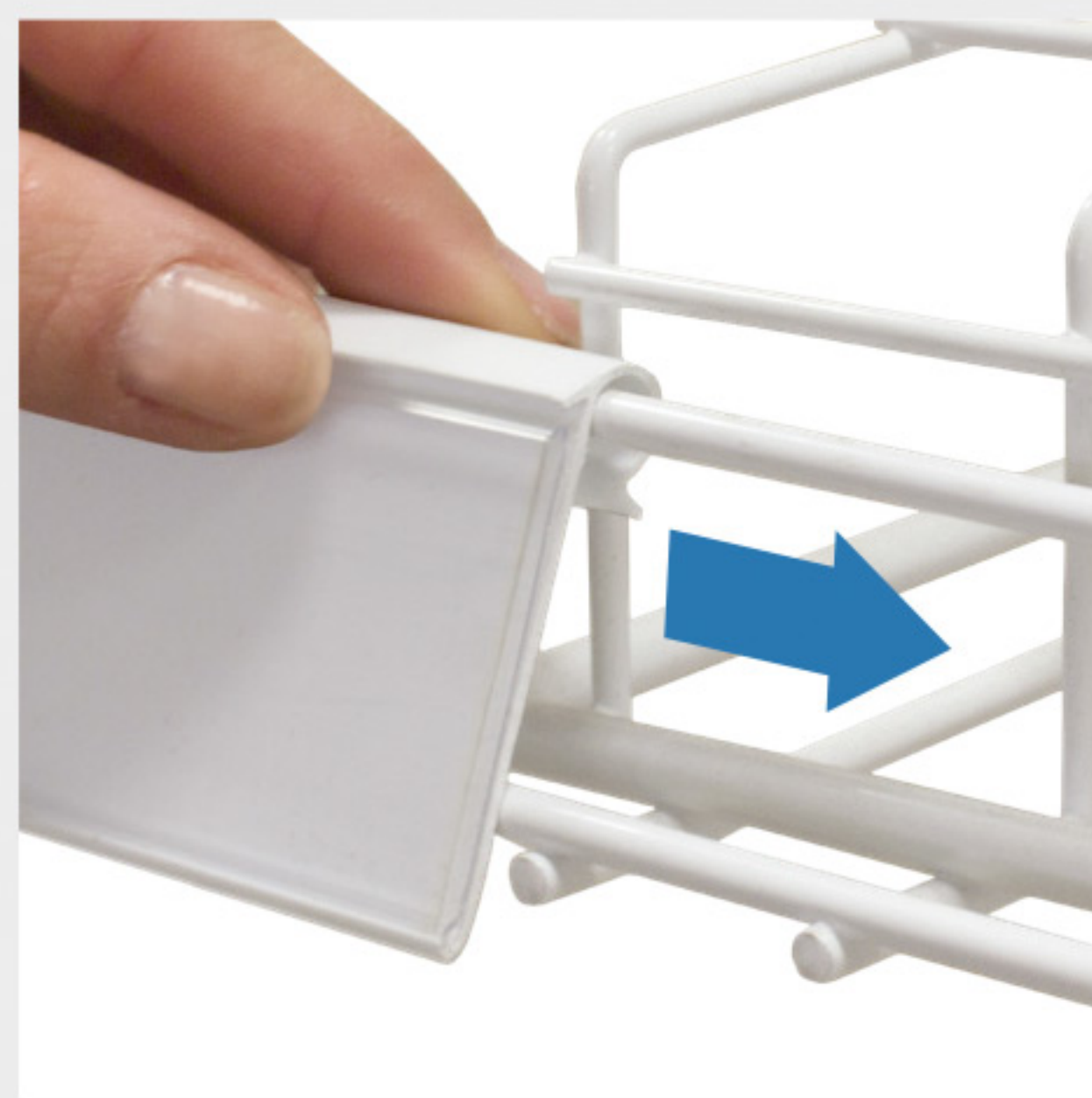
REF
50.270
50.271

GLASS	COLOR	LENGTH	GRAPHIC HEIGHT	
50.265		1000mm	30mm	x25
50.266		1320mm	30mm	x25
50.270		1000mm	40mm	x25
50.271		1320mm	40mm	x25

GLASS PRICE HOLDER PROFILE



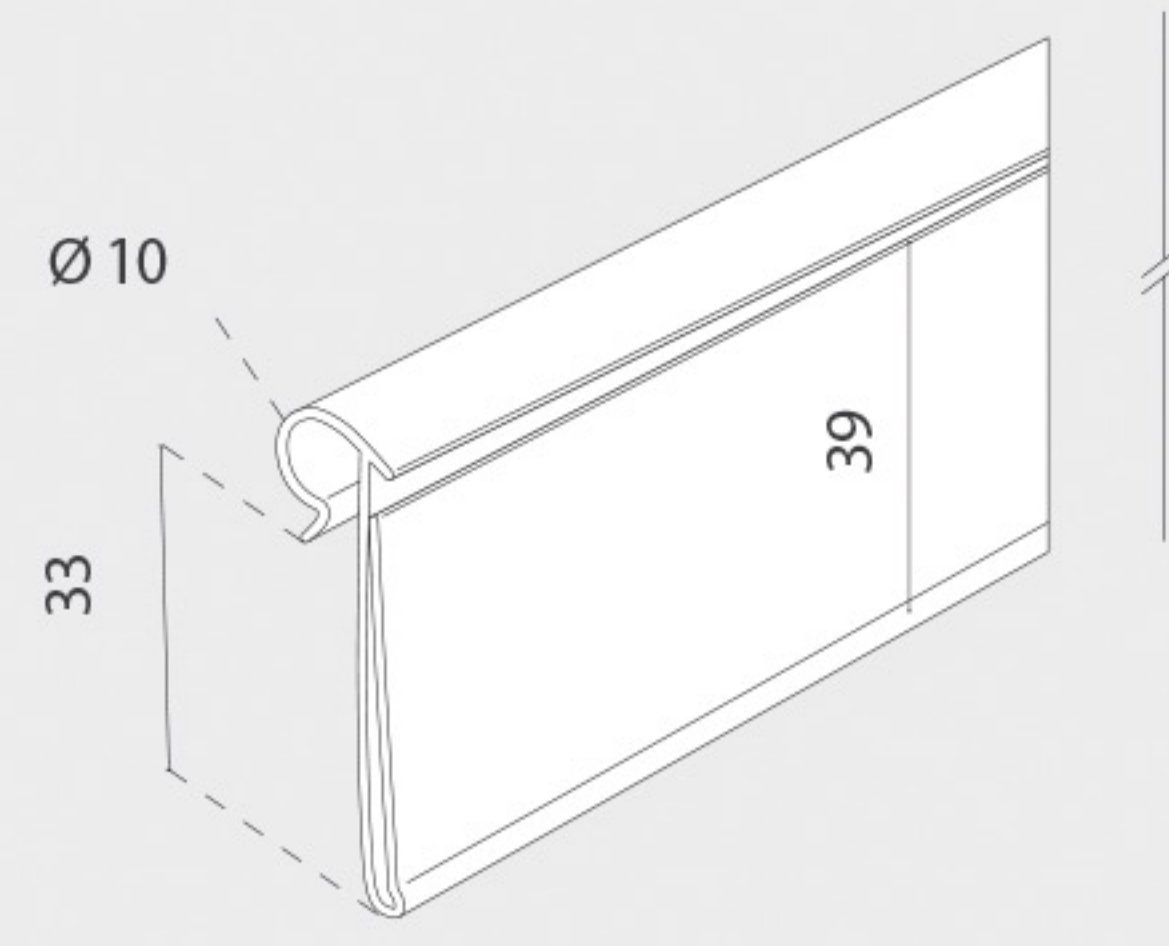
PROFILE DETAILS



INFORMATION

*mm

This Price Holder Profile is suitable for being used with 39mm height labels and Ø10mm wire shelves. There are 2 Holder Profile lengths available and white or transparent to choose from. It is ideal for improving the overall look of the shelf fronts, wire dumpbins, wire baskets and for highlighting the promotions of products for sale.



WIRE	COLOR	LENGTH	GRAPHIC HEIGHT	
50.219		1000mm	39mm	x25
50.220		1320mm	39mm	x25

WIRE PRICE HOLDER PROFILE



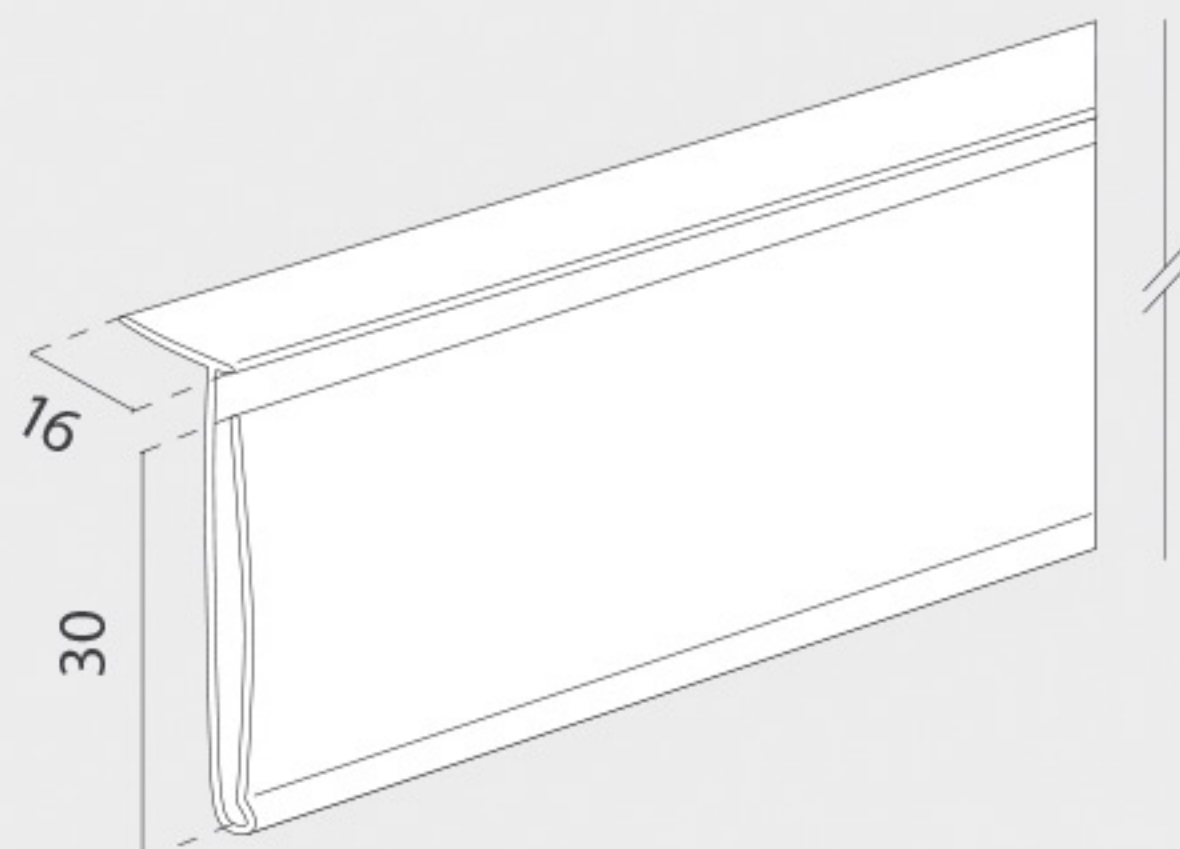
PROFILE DETAILS



INFORMATION

*mm

This shelf profile is suitable for being used with 30mm height labels and it allows to be fitted on most of the standard shelf fronts thanks to its adhesive strip at the top. There are two profile lengths available and white or transparent to choose from. It is ideal for improving the overall look of the shelf fronts in the store and for highlighting the promotions of the products for sale.



L-30	COLOR	LENGTH	GRAPHIC HEIGHT	
50.222		1000mm	30mm	x25
50.221		1320mm	30mm	x25

L-30 ADHESIVE PROFILE



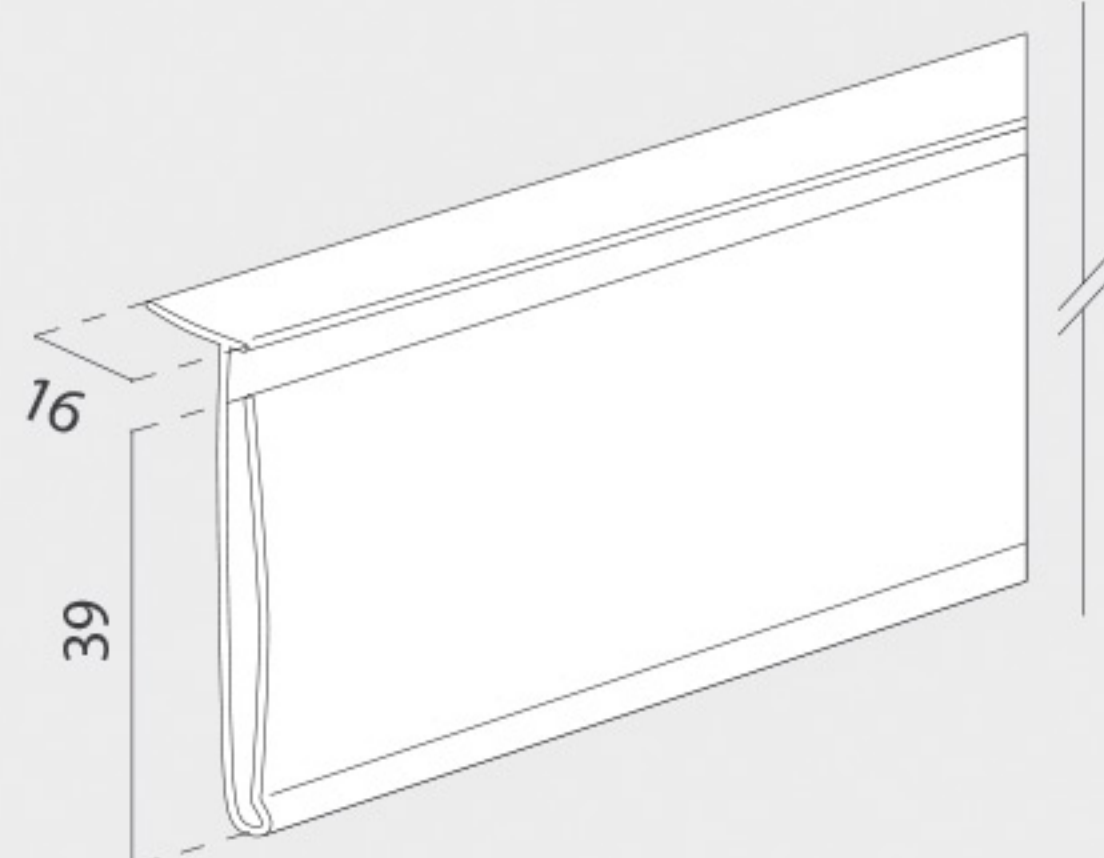
PROFILE DETAILS



INFORMATION

*mm

This shelf profile is suitable for being used with 39mm height labels and it allows to be fitted on most of the standard shelf fronts thanks to its adhesive strip at the top. There are 3 profile lengths available and white or transparent to choose from. Ideal for improving the overall look of the shelf fronts in the store and for highlighting the promotions of the products for sale.

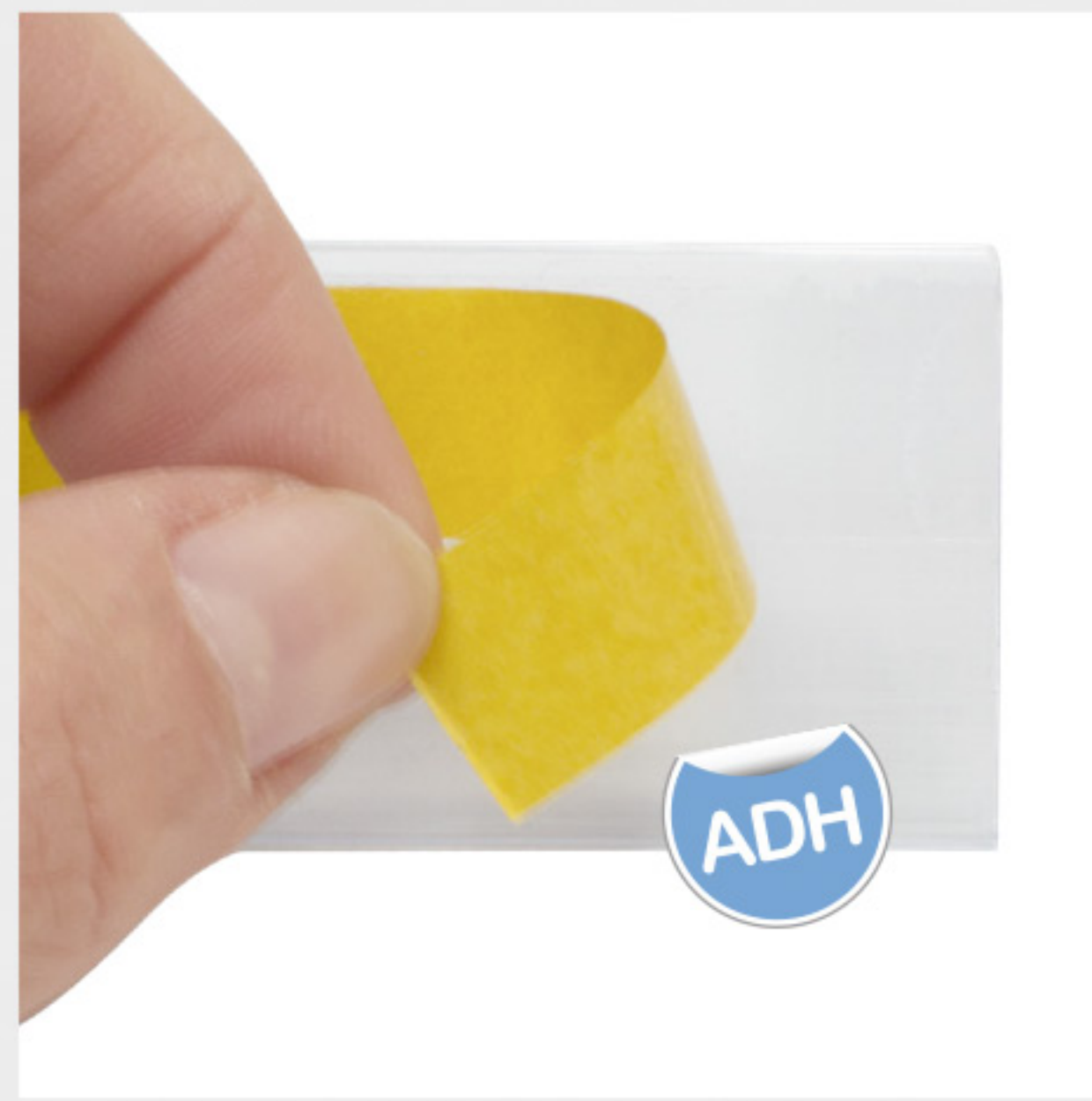


L-39	COLOR	LENGTH	GRAPHIC HEIGHT	
50.223		1000mm	39mm	x25
50.224		1320mm	39mm	x25
50.117		2700mm	39mm	x25

L-39 ADHESIVE PROFILE



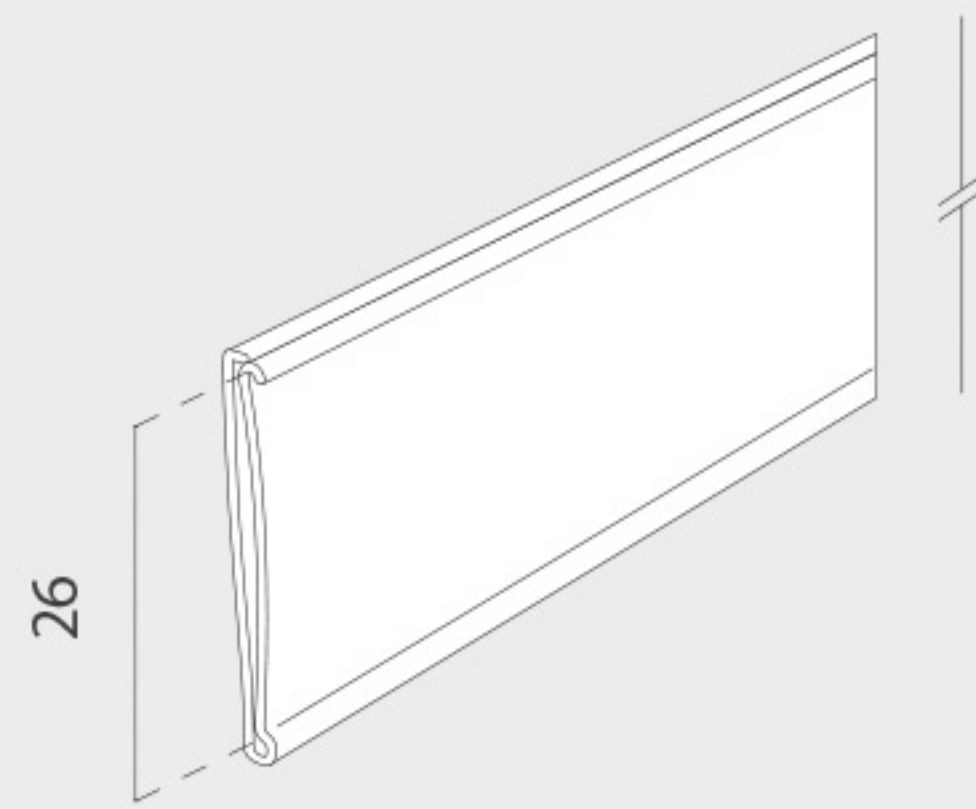
PROFILE DETAILS



INFORMATION

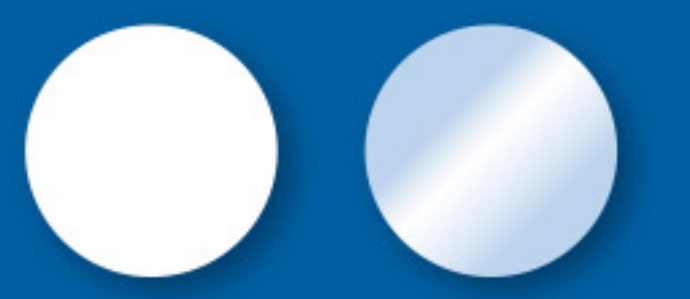
*mm

This shelf profile is suitable for being used with 26mm height labels and it allows to be fitted on most of the standard shelf fronts thanks to its double adhesive strips at the back. There are 3 profile lengths available and white or transparent to choose from. Ideal for improving the overall look of the shelf fronts in the store and for highlighting the promotions of the products for sale.



A-26	COLOR	LENGTH	GRAPHIC HEIGHT	
50.211		1000mm	26mm	x25
50.212		1320mm	26mm	x25
50.268		2700mm	26mm	x25

A-26 ADHESIVE PROFILE



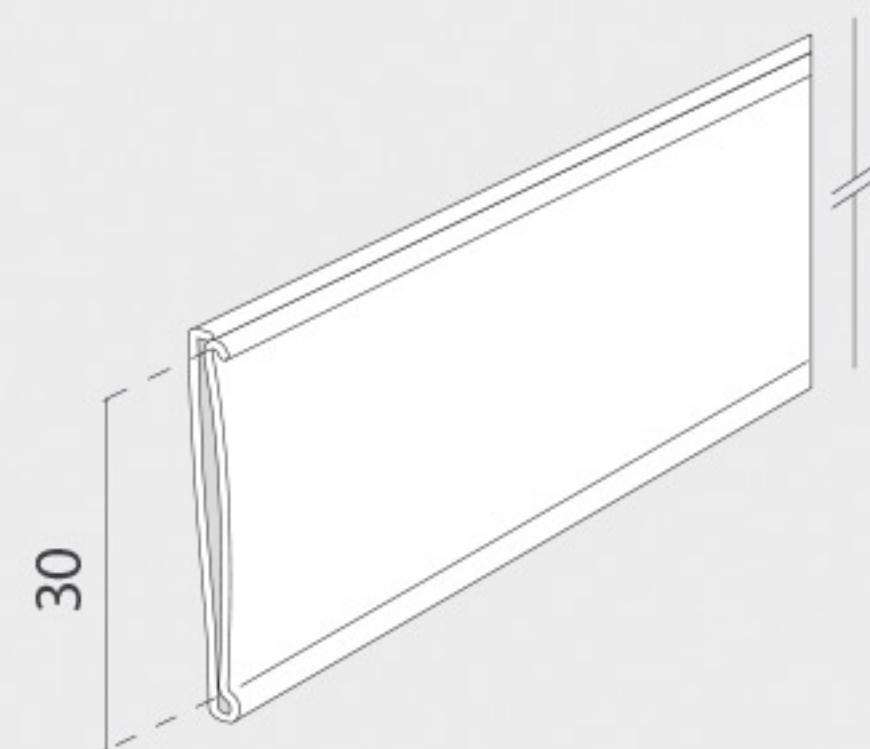
PROFILE DETAILS



INFORMATION

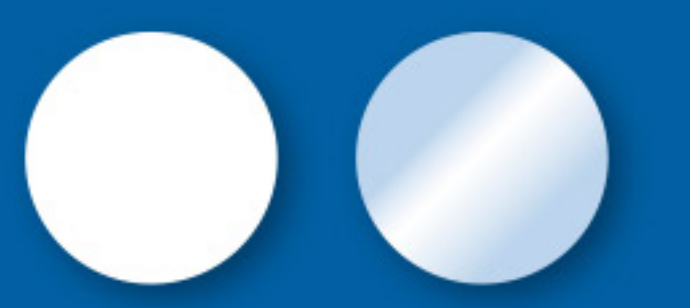
*mm

This shelf profile is suitable for being used with 30mm height labels and it allows to be fitted on most of the standard shelf fronts thanks to its double adhesive strips at the back. There are 3 profile lengths available and white or transparent to choose from (transparent only for 1000mm and 1320mm). Ideal for improving the overall look of the shelf fronts and for highlighting the promotions of products for sale.



A-30	COLOR	LENGTH	GRAPHIC HEIGHT	
50.213		1000mm	30mm	x25
50.214		1320mm	30mm	x25
50.114		2700mm	30mm	x25

A-30 ADHESIVE PROFILE



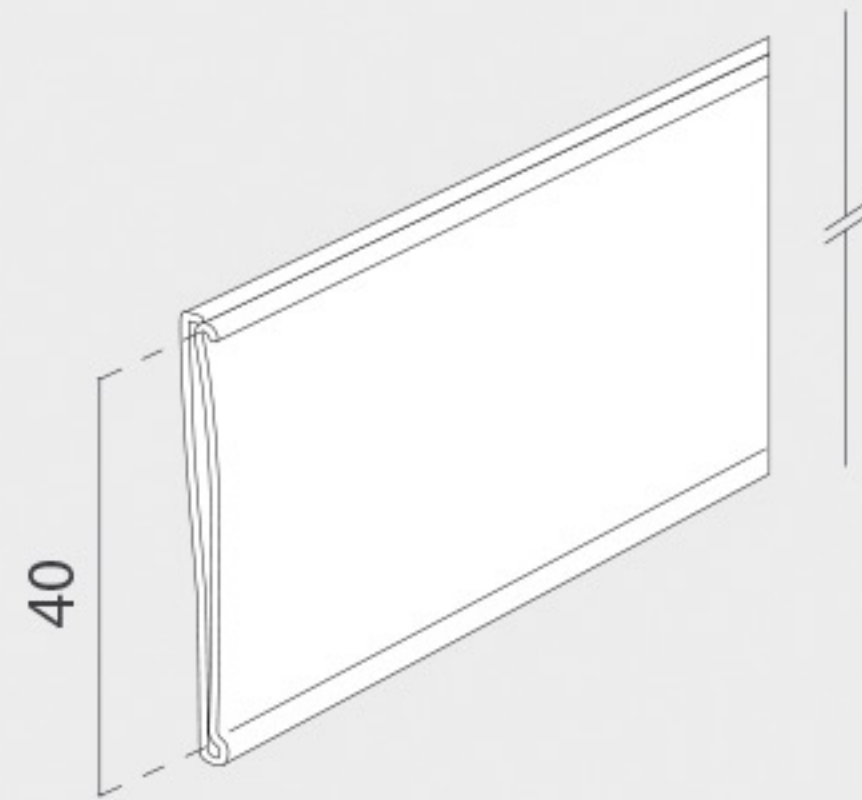
PROFILE DETAILS



INFORMATION

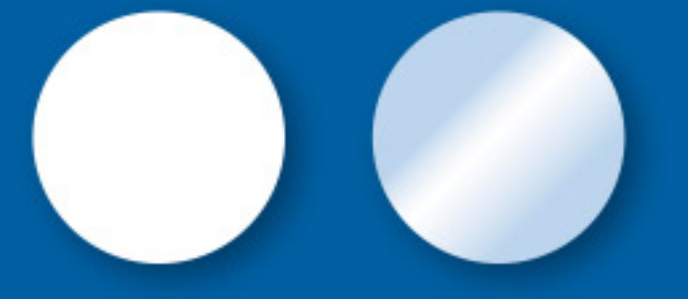
*mm

This shelf profile is suitable for being used with 40mm height labels and it allows to be fitted on most of the standard shelf fronts thanks to its double adhesive strips at the back. There are 3 profile lengths available and white or transparent to choose from. Ideal for improving the overall look of the shelf fronts in the store and for highlighting the promotions of the products for sale.



A-40	COLOR	LENGTH	GRAPHIC HEIGHT		
50.208		1000mm	40mm	x25	
50.209		1320mm	40mm	x25	
50.210		2700mm	40mm	x25	

A-40 ADHESIVE PROFILE



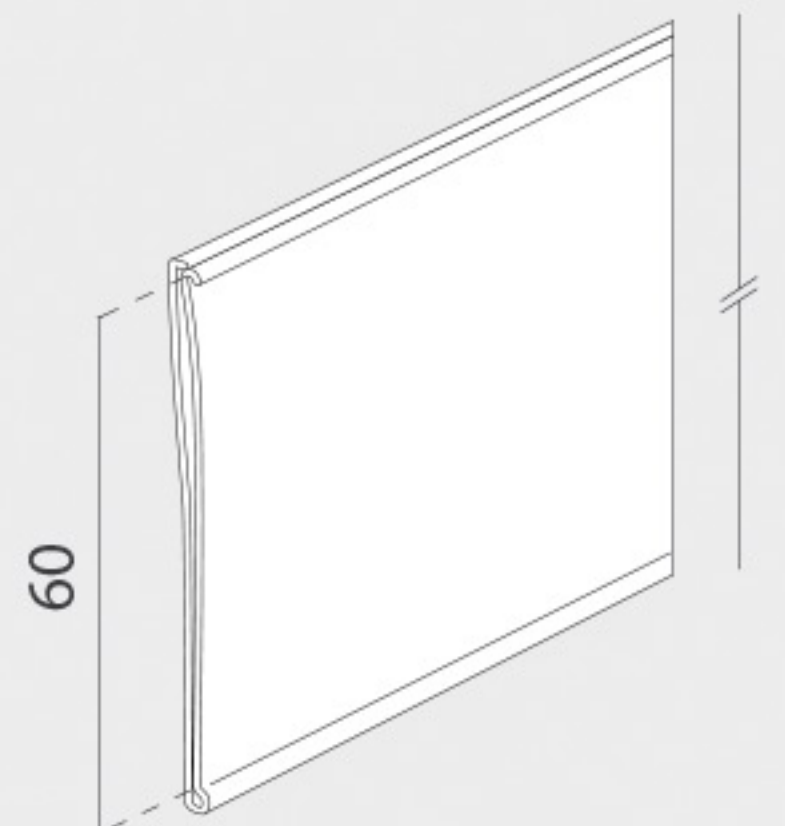
PROFILE DETAILS



INFORMATION

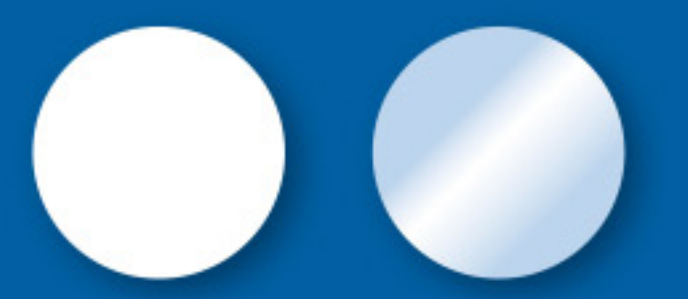
*mm

This shelf profile is suitable for being used with 60mm height labels and it allows to be fitted on most of the standard shelf fronts thanks to its double adhesive strips at the back. There are 3 profile lengths available and white or transparent to choose from. Ideal for improving the overall look of the shelf fronts in the store and for highlighting the promotions of the products for sale.



A-60	COLOR	LENGTH	GRAPHIC HEIGHT		
50.215		1000mm	60mm	x25	
50.216		1320mm	60mm	x25	
50.217		2700mm	60mm	x25	

A-60 ADHESIVE PROFILE





STOPPER DETAILS

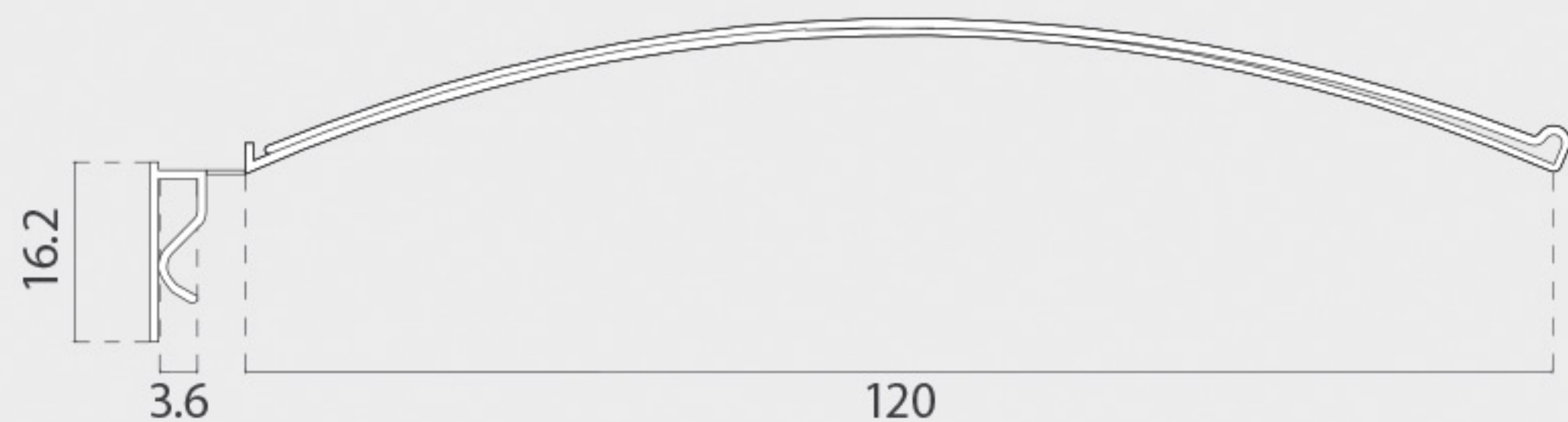


INFORMATION

This transparent Stopper with hinge features a remarkable curved shape and a **1000mm length**. Also it is suitable for being used with 120mm height labels and it allows to be fitted on most of the standard shelf profiles thanks to its hinged gripper at the top. Ideal for improvising the overall look of the shelf fronts and for highlighting the promotions of products for sale.

DIMENSIONS

*mm



CURVED H. COLOR LENGTH GRAPHIC HEIGHT

50.254  1000mm 120mm x25 

CURVED HINGE STOPPER



STOPPER DETAILS

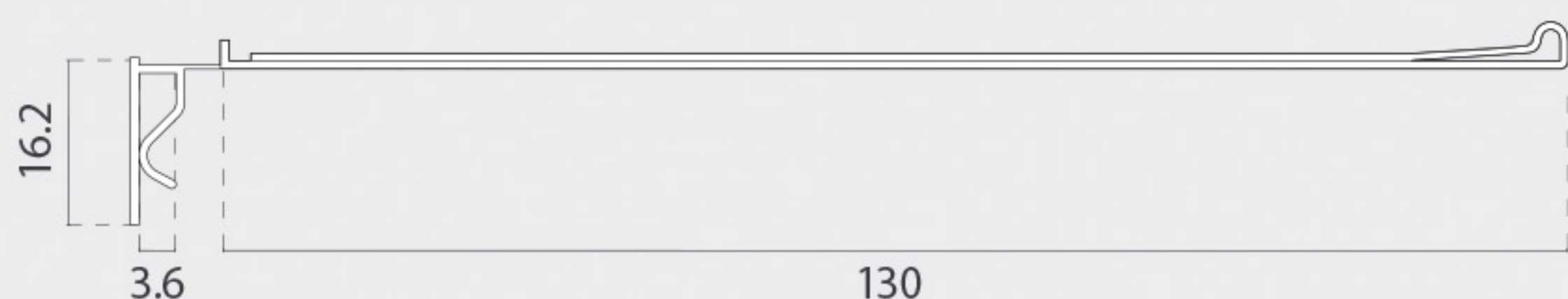


INFORMATION

This transparent Stopper with hinge features a straight shape and a **1000mm length**. Also it is suitable for being used with 130mm graphic height labels and it allows to be fitted on most of the standard shelf profiles thanks to its hinged gripper at the top. Ideal for improvising the overall look of the shelf fronts and for highlighting the promotions of products for sale.

DIMENSIONS

*mm



STRAIGHT H. COLOR LENGTH GRAPHIC HEIGHT

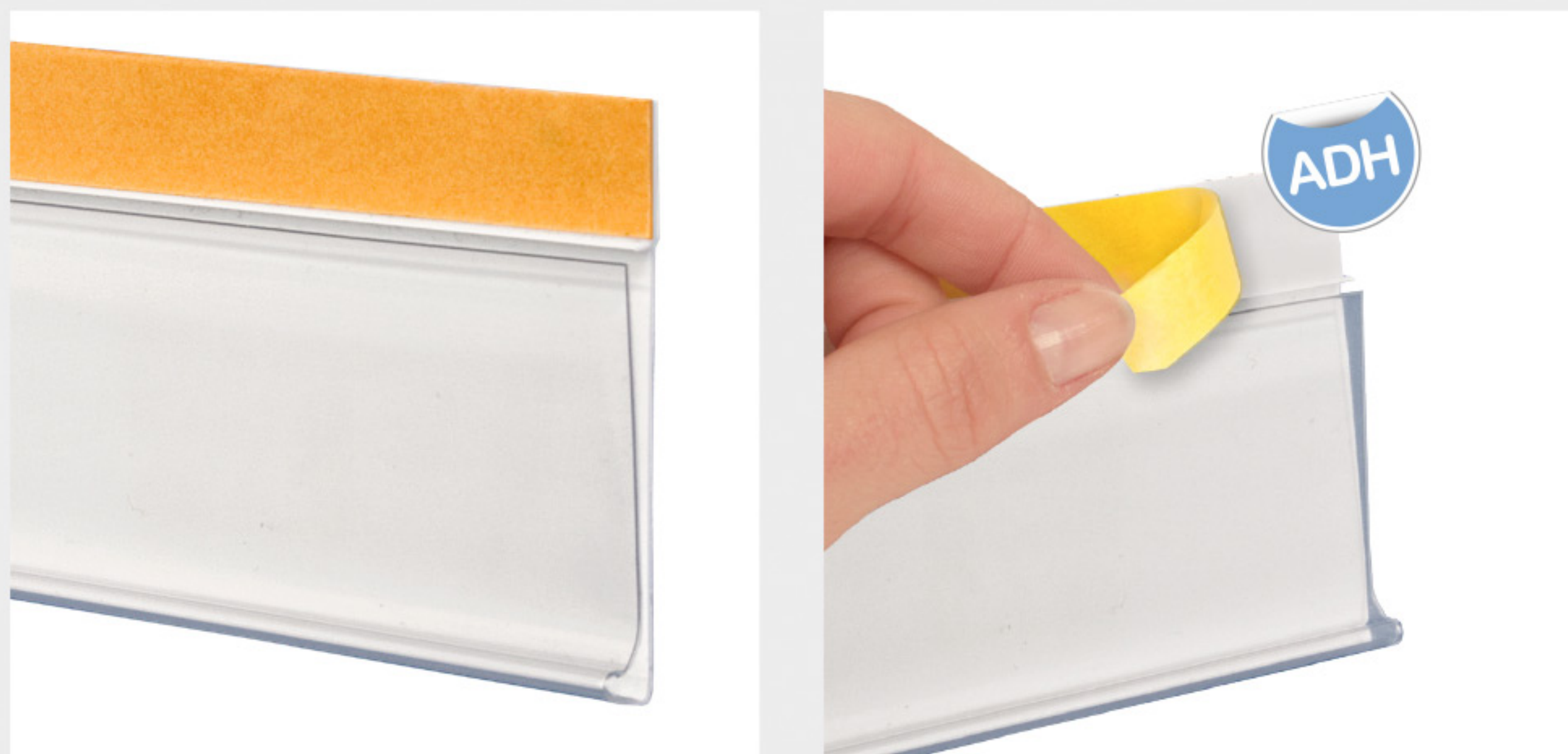
50.255  1000mm 130mm x25 

STRAIGHT HINGE STOPPER





PROFILE DETAILS

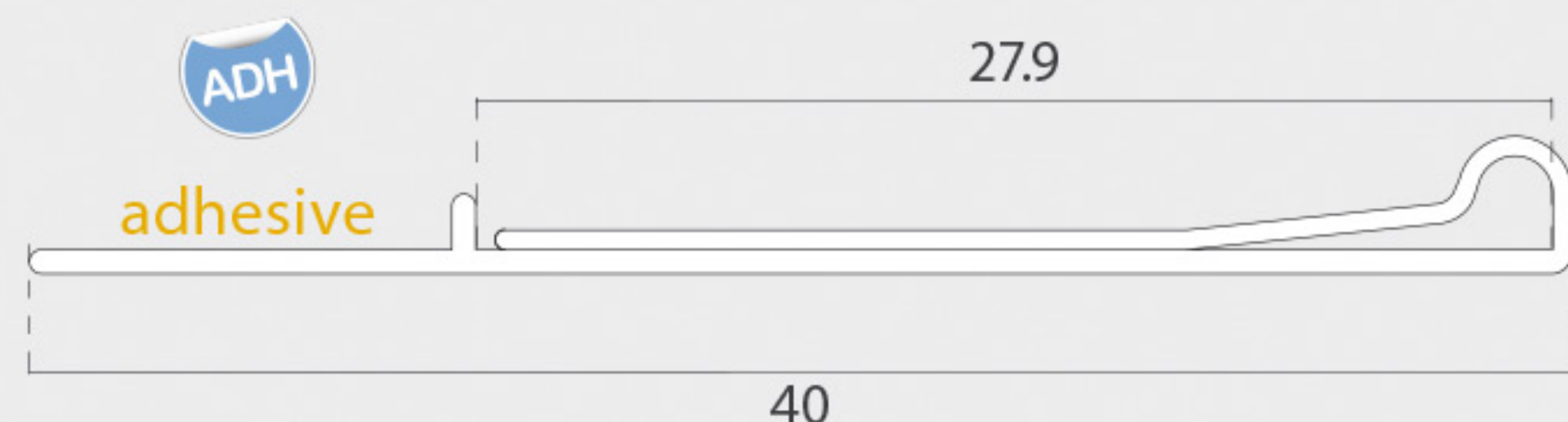


INFORMATION

This shelf Extension Profile is suitable for being used with the most of the standard shelf fronts thanks to its adhesive strip at the front, also is suitable for being used with 26mm height price labels. This Extension Profile is ideal for improving the overall look of the shelf fronts in the store and for highlighting the the products on sale.

DIMENSIONS

*mm

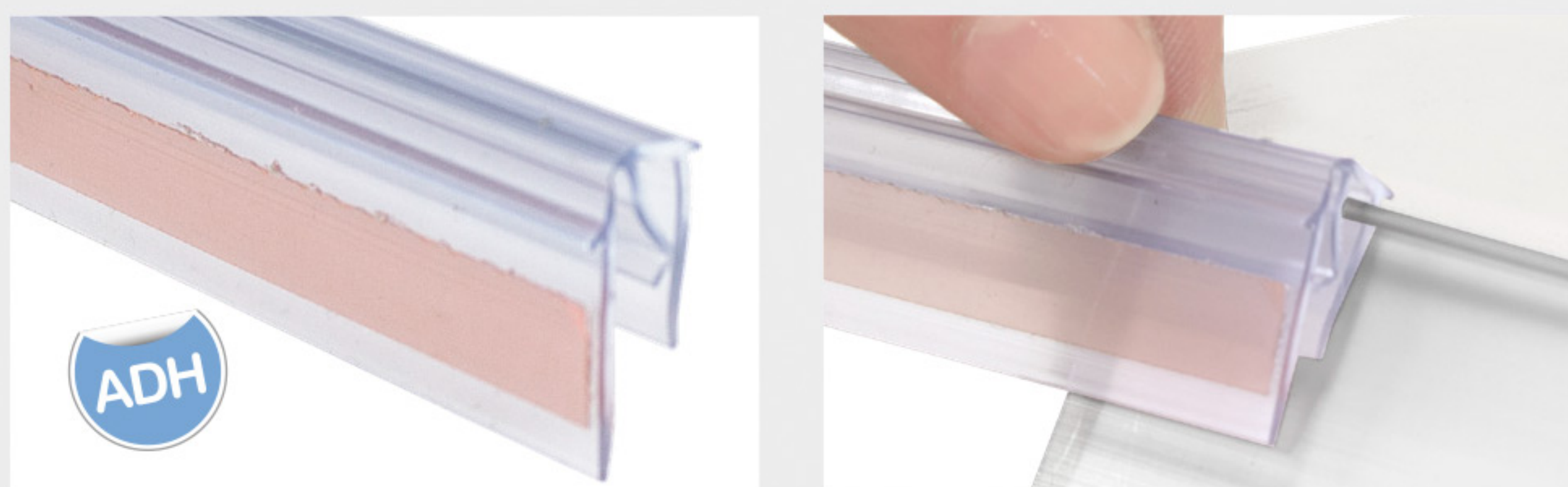


ADHESIVE EXT.	COLOR	LENGTH	GRAPHIC HEIGHT	
50.246		1320mm	26mm	x25

ADHESIVE EXTENSION FOR PROFILE



PROFILE DETAILS

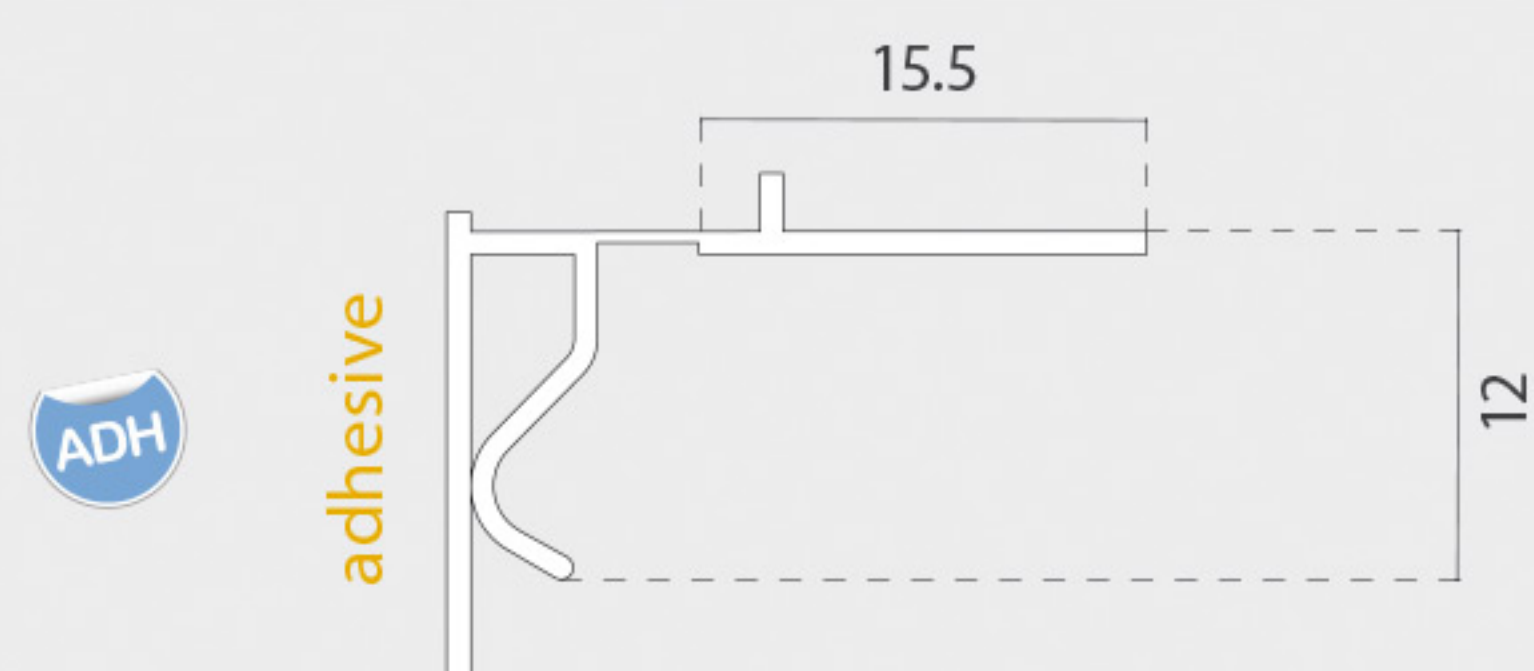


INFORMATION

This profile features a front adhesive for attaching labels and it can be used on most of the standard shelf fronts thanks to its hinged clip at the back. There are 3 profile lengths available. Ideal for improving the overall look of the shelf fronts and for highlighting the promotions of the products for sale.

DIMENSIONS

*mm



HINGE	COLOR	LENGTH	
50.105		120mm	x100
50.106		150mm	x100
50.250		2000mm	x25

ADHESIVE HINGE PROFILE



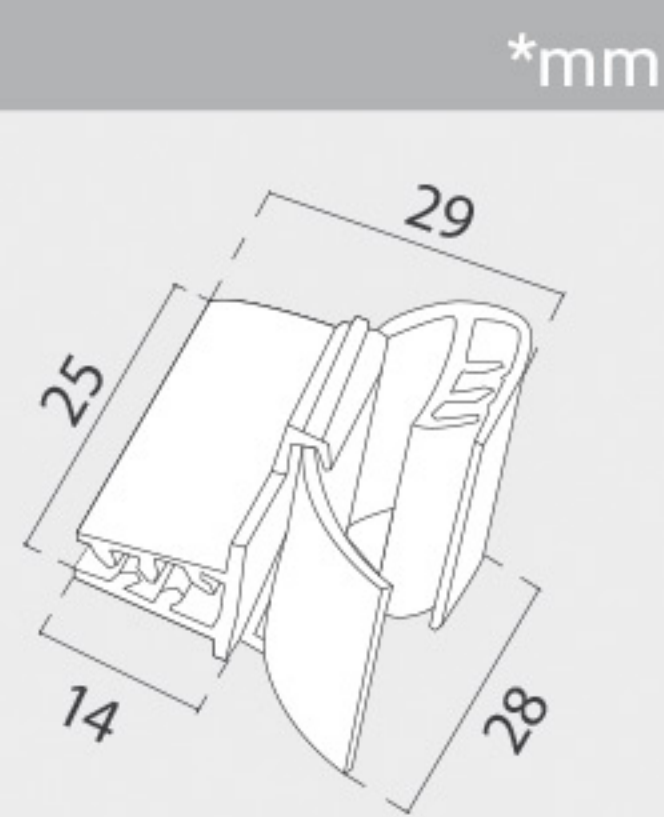


GRIPPER DETAILS



INFORMATION

This transparent gripper fits into most of shelving profiles. It allows the insertion of cards up to 3mm thickness. Featuring an adjustable viewing angle. Ideal for displaying stopper signs, offer messages or price promotions at the sales line.



ADJUSTABLE STOPPER

SIZE

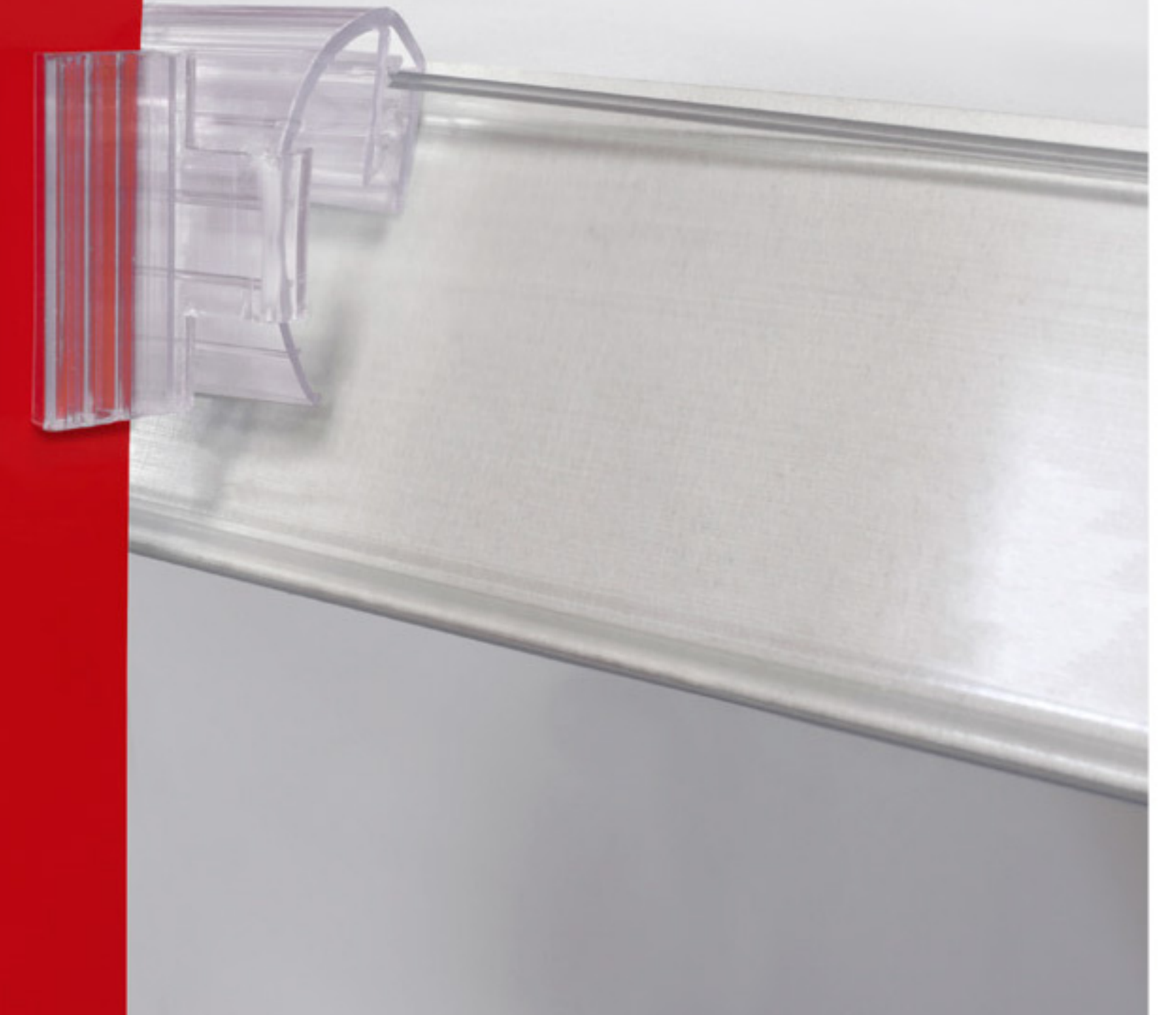
12.233	28x29mm	x100	
--------	---------	------	--

ADJUSTABLE STOPPER GRIPPER FOR PROFILE

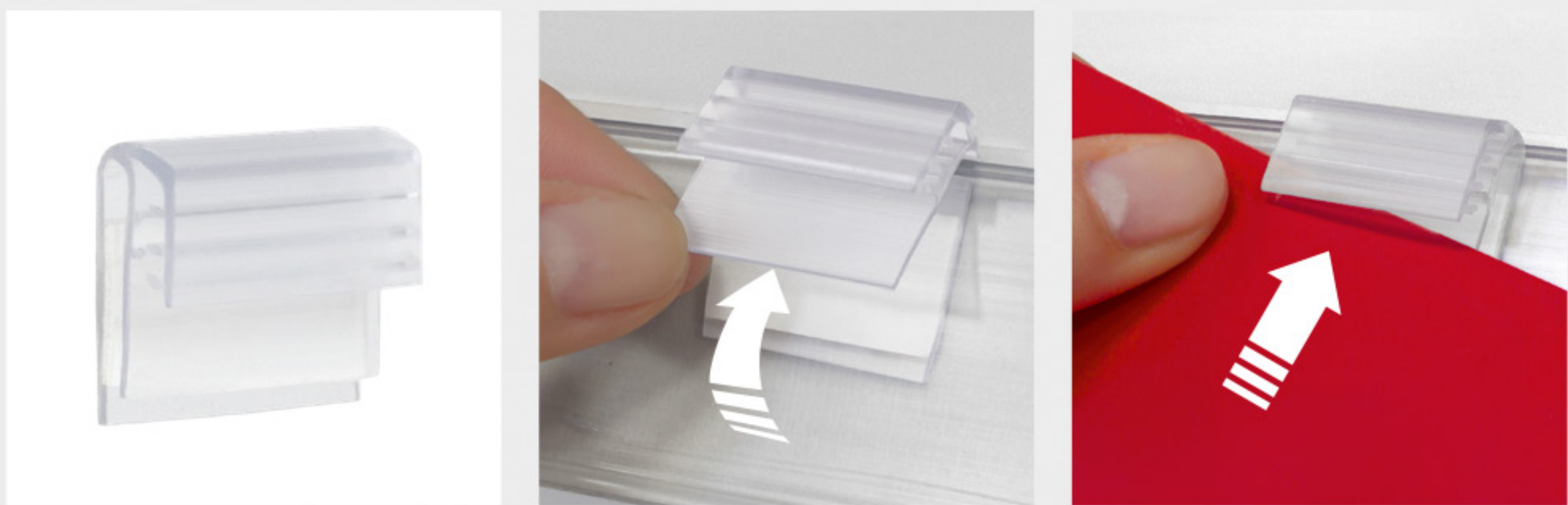
SALE

UP TO

70%

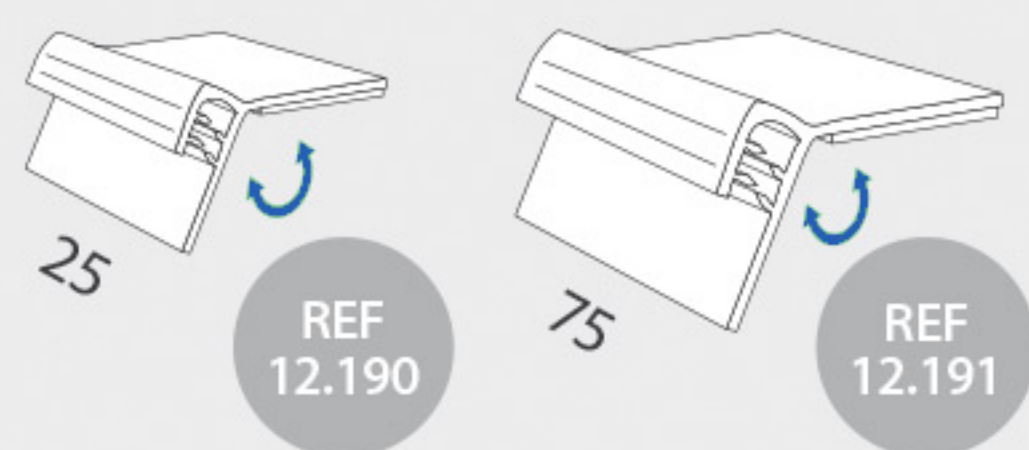


GRIPPER DETAILS



INFORMATION

This transparent gripper fits onto any support thanks its adhesive foampad. With a hinged base for protecting signage against shocks. It allows the insertion of cards up to 3mm thickness. Ideal for displaying extra-information at the POS line.



HINGED GRIPPER

LENGTH

12.190	25mm	x100	
12.191	75mm	x100	

ADHESIVE HINGED GRIPPER FOR PROFILE

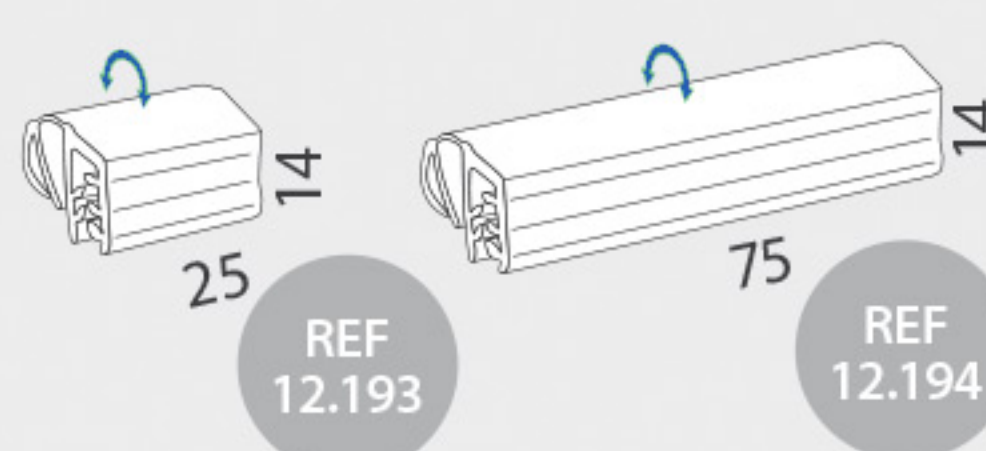


GRIPPER DETAILS



INFORMATION

This transparent front gripper fits into most of shelving profiles. Featuring a hinged base for protecting signage against shocks. It allows the insertion of cards up to 3mm thickness. Ideal for displaying an extra-information at the sale line.



FRONT HINGED

LENGTH

12.193	25mm	x100	
12.194	75mm	x100	

FRONT HINGED GRIPPER FOR PROFILE





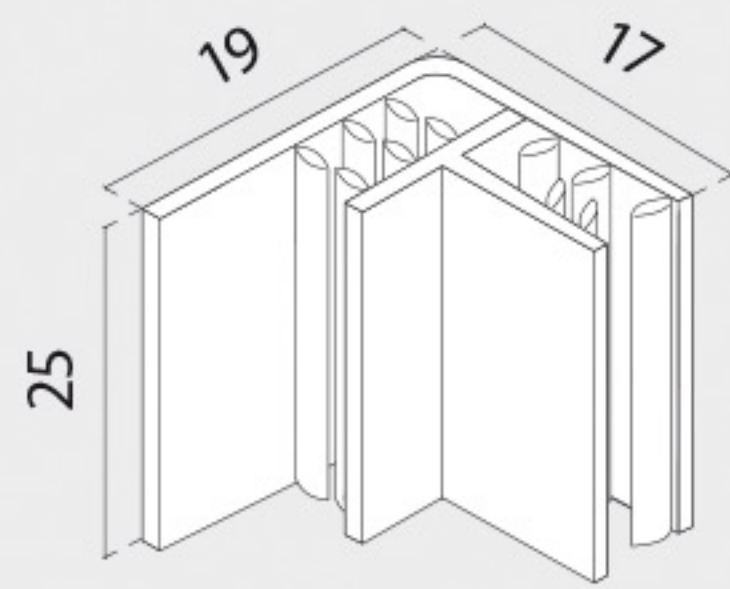
GRIPPER DETAILS



INFORMATION

*mm

This transparent gripper fits into most sides of label-holder profiles up to 3mm. It allows the insertion of cards up to 3mm thickness. Ideal for being used as a side signage stopper.



SIDE STOPPER

SIZE

12.453

19x17x25mm

x100

SIDE STOPPER GRIPPER FOR PROFILE



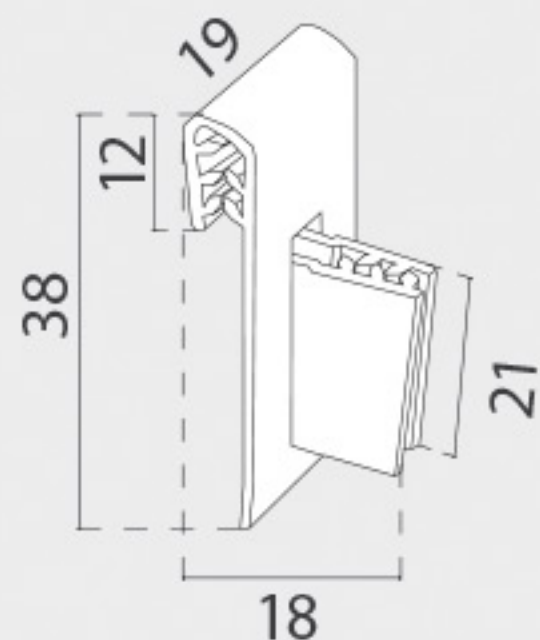
GRIPPER DETAILS



INFORMATION

*mm

This transparent gripper fits into most of label-holder profiles up to 3mm. It allows the insertion of cards up to 3mm thickness. Ideal for being used as a stopper signage support at the sale line.



STOPPER GRIPPER

SIZE

12.195

19x38x18mm

x100

STOPPER GRIPPER FOR PROFILE



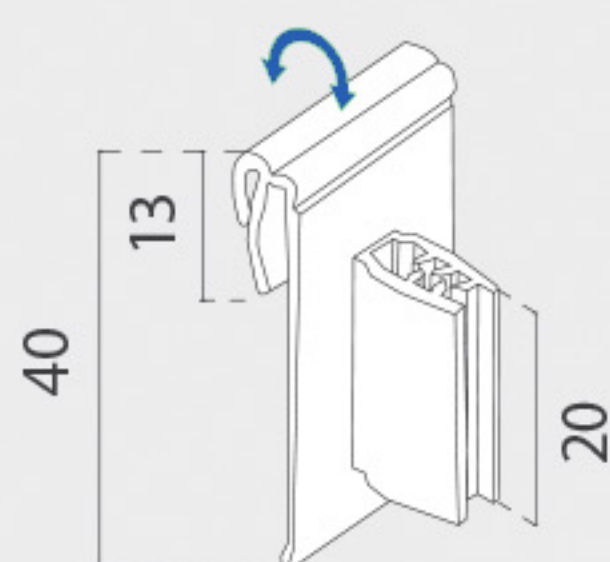
GRIPPER DETAILS



INFORMATION

*mm

This transparent gripper fits into most of shelving profiles. Featuring a hinged base for protecting signage against shocks. It allows the insertion of cards up to 3mm thickness. Ideal for displaying stopper signs, offer messages or price promotions at the sales line.



HINGED GRIPPER

HEIGHT

12.192

40mm

x100

HINGED STOPPER GRIPPER FOR PROFILE





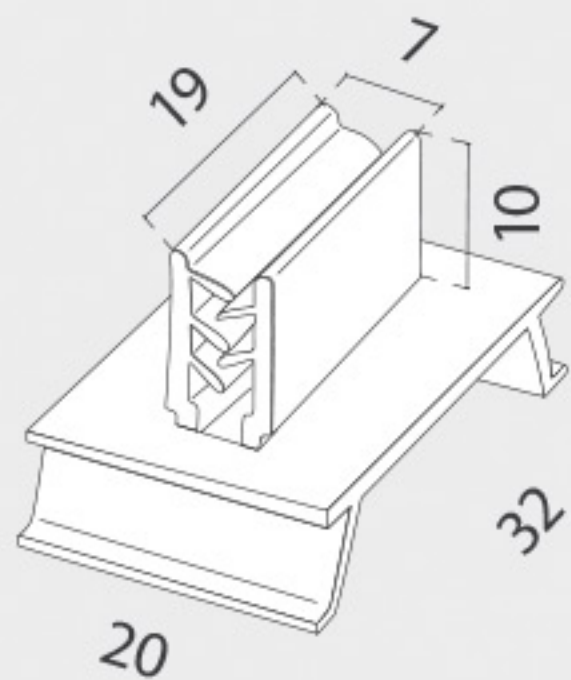
GRIPPER DETAILS



INFORMATION

*mm

This transparent gripper fits into most of label-holder profiles from $\pm 27\text{mm}$ up to $\pm 34\text{mm}$ thanks to its 2 spring clips. It allows the insertion of cards up to 3mm thickness. Ideal for being used as a stopper signage support at the sale line.



SPRING GRIPPER

BASE SIZE

12.452

20x32mm

x100

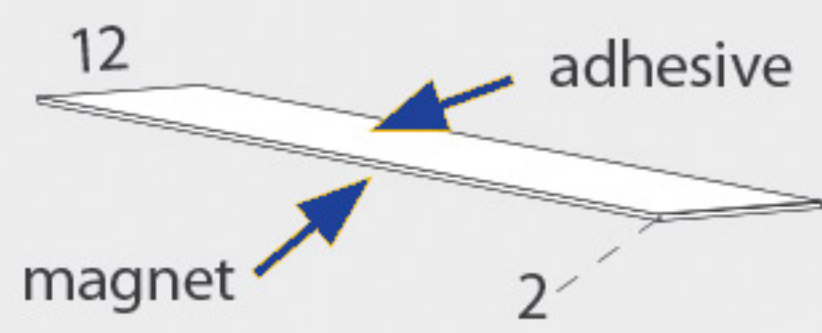
SPRING GRIPPER FOR PROFILE



MAGNETIC STRIP ROLL

INFORMATION

*mm



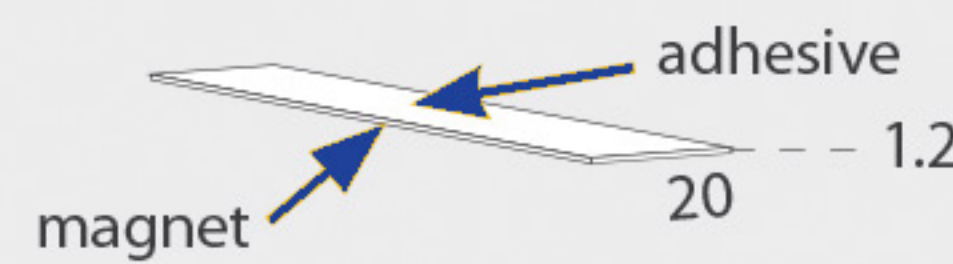
- 50m Roll.
- 2mm thickness strip.
- One adhesive side for fixing to the graphics.



	QTY	N.W	G.W	C.B.M	SIZE	
Packing	1	3.4kg	3.82kg	0.0038	390x25x390mm	
10.360					50m roll	

MAGNETIC STRIP BY LINEAL METERS

*mm



16.087

Adhesive

Size: 20x1.2mm



*mm



16.088

Magnetic

Size: 20x1.2mm



REF	Label width	Price
16.089	25mm	0.80 €/ml
16.090	35mm	0.99 €/ml
16.091	40mm	1.08 €/ml
16.092	50mm	1.25 €/ml

16.089

Label width: 22mm



0.80 €/ml

16.090

Label width: 32mm



0.99 €/ml

MAGNETIC DATA STRIP



16.091

Label width: 37mm



1.08 €/ml

16.092

Label width: 47mm

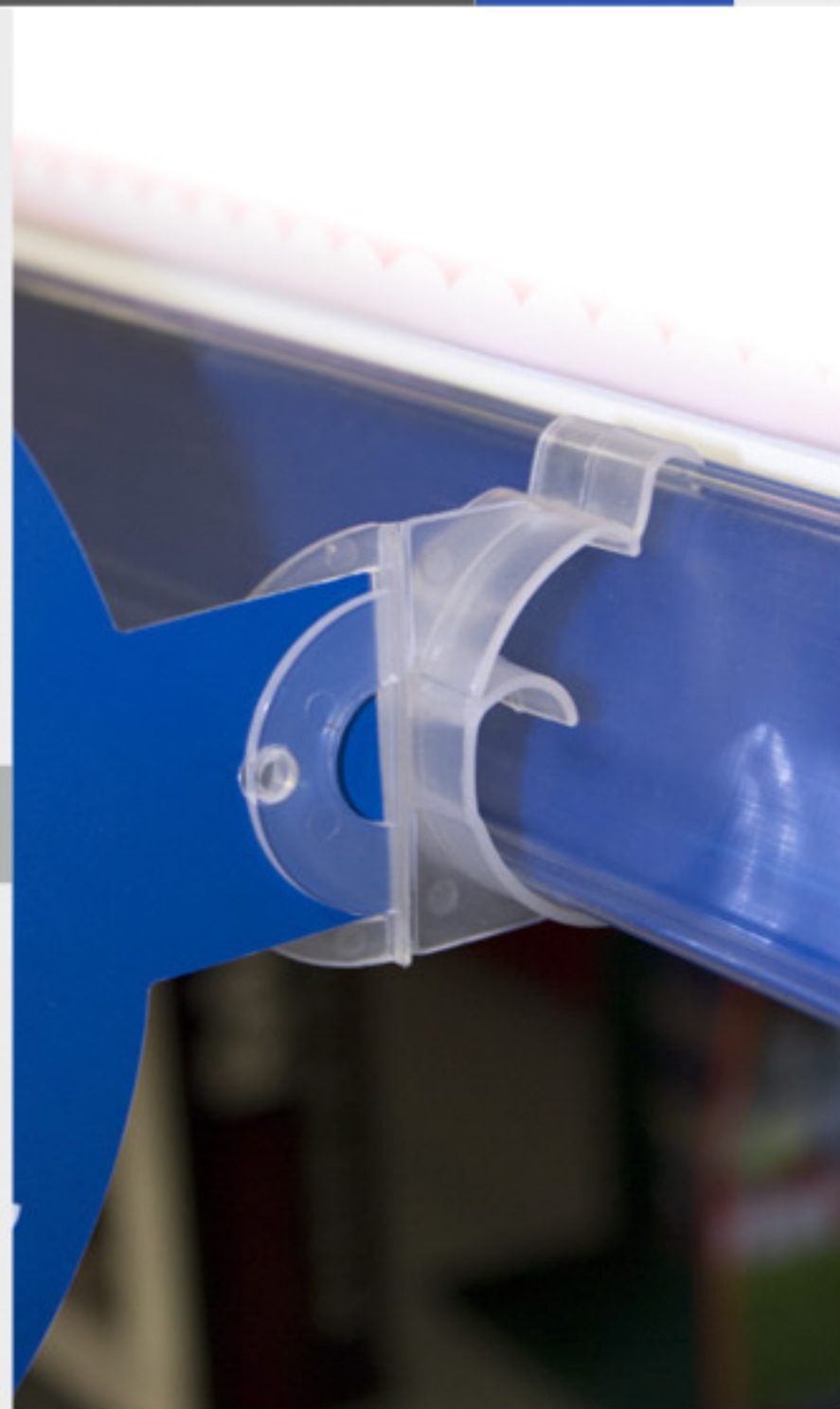


1.25 €/ml

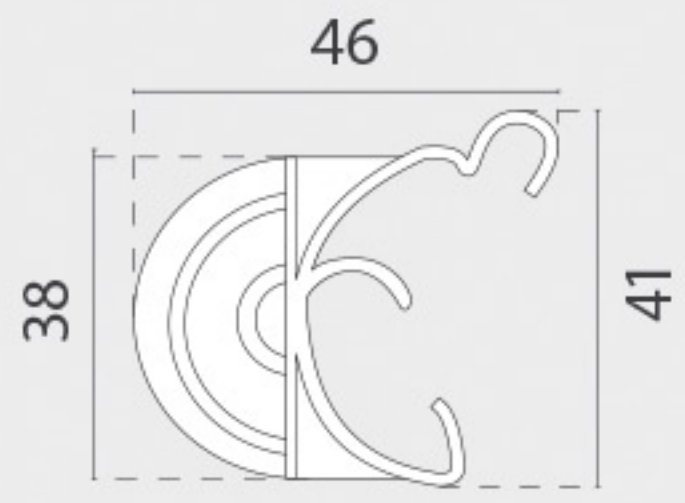
* Glasspack protector is not included.



CURVED STOPPER CLIP HOLDER



DIMENSIONS *mm



INFORMATION

This Curved Clip is ideal for attaching cards and being used as a promotion Stopper on shelving.

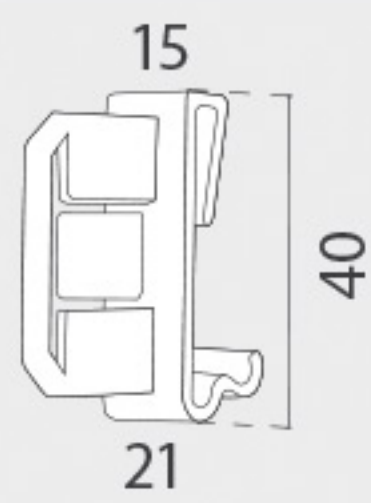
CURVED SIZE

12.474	41x46mm	x100	
--------	---------	------	--

STRAIGHT STOPPER CLIP HOLDER



DIMENSIONS *mm



INFORMATION

This Straight Clip is ideal for attaching cards and being used as a promotion Stopper on shelving.

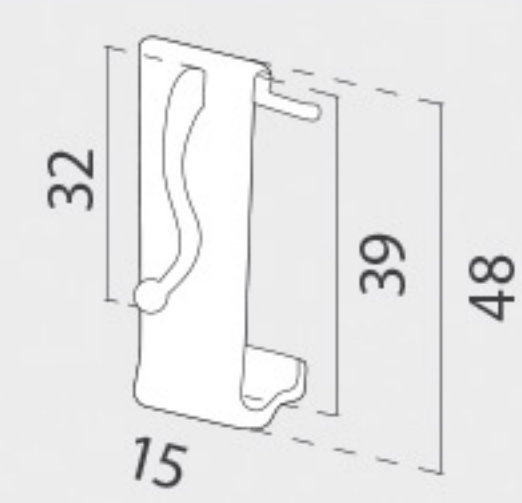
STRAIGHT SIZE

12.071	40x15mm	x100	
--------	---------	------	--

CLIP 39mm DATA STRIP



DIMENSIONS *mm



INFORMATION

This Data Strip Clip with hook is ideal for being used on 39mm shelf profiles at point of sale.

CLIP 39 SIZE

12.451	15x48mm	x100	
--------	---------	------	--

SHELF LABEL HOLDER



INFORMATION

This Curved Clip features a hinged base for protecting signage against the shocks.

*mm



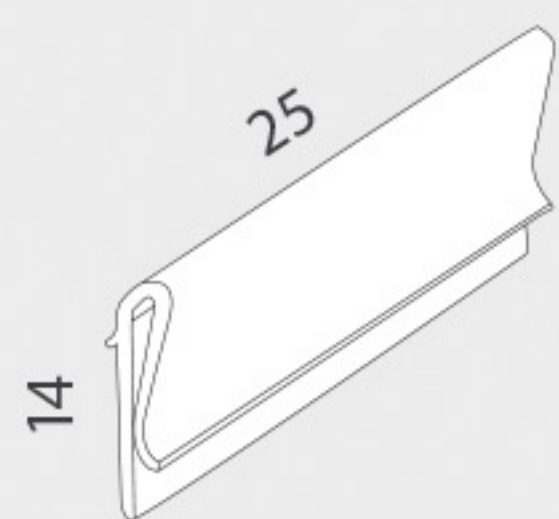
SHELF LABEL SIZE

12.414	78x152mm	x50	
12.417	78x203mm	x50	
12.419	106x152mm	x50	
12.421	106x203mm	x50	

SHELF STRIP LABEL HOLDER

HOLDER DETAILS

DIMENSIONS *mm



INFORMATION

This holder can be used on most of the standard shelf profiles and it allows 1mm max. graphic thickness.

SHELF STRIP SIZE

12.458	14x25mm	x100	
--------	---------	------	--

STOPPER SLEEVE HOLDER



INFORMATION

This transparent Sleeve Holder is ideal for being used as a stopper support.

SLEEVE SIZE

12.527	215x112mm	x20	
--------	-----------	-----	--

ADHESIVE COUPON LABEL HOLDER



ADHESIVE THICKNESS

12.212	8mm	x20	
12.214	18mm	x20	

GRIPPER COUPON LABEL HOLDER



GRIPPER THICKNESS

12.213	8mm	x20	
12.215	18mm	x20	



La Cartelera y el Equipamiento Comercial, SL

Calle Luis I, 45 Nave A
Poligono Industrial de Vallecas
28031 Madrid

info@doncarteltienda.es

**Teléfono gratuito de atención a clientes:
900 897 122**

Horario de Lunes a Jueves:
De 9 a 14 h y de 16 a 18 h.

Horario Viernes: De 9 a 14 h.



facebook.com/doncarteltienda



youtube.com/c/DoncarteltiendaEstuweb



pinterest.es/doncarteltienda

¿Quiere personalizar el diseño de sus perfiles?

Ahora puede [personalizar sus perfiles](#) con su diseño y colores corporativos. Refuerce su imagen de marca y destaque aun más sus productos en el punto de venta.

 [Infórmese ahora](#)

