

CATÁLOGO PORTA ANUNCIOS



CATÁLOGO - DONCARTELTienda.ES - ABRIL 2019

Son soluciones muy económicas para ayudar a la venta y promoción de artículos y servicios. Es muy fácil llamar la atención de los transeúntes colocándo estos caballetes en las aceras, en las entradas y en todos los sitios más concurridos.



SIDEWALK DETAILS



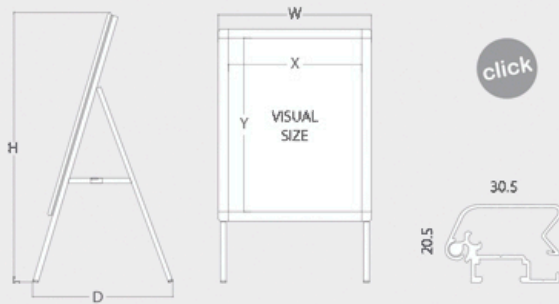
SIDEWALK DETAILS

GRAPHIC BY CLICK FRAME



DIMENSIONS

* W: Width H: Height D: Depth * mm



INFORMATION

This frame board is made of aluminum so it is lightweight and resistant to rusting. It has a 30.5mm width profile with click system, so the graphic change is quick and simple. With its single-sided folding frame, Niza A-Board is ideal for advertising outside your store, like restaurants, street stalls or supermarkets. It includes a weather resistant antireflection sheet so is also non-glare which allows it to be read under bright lights.

NIZA



NIZA	QTY	N.W	G.W	C.B.M	Size (WxHxD)
Packing	1	5kg	7kg	0.075	580x1080x120
		Visual (X-Y)	External (WxHxD)		
Product	485x685		540x1060x440		
10.808		Graphic Size: 500x700mm			

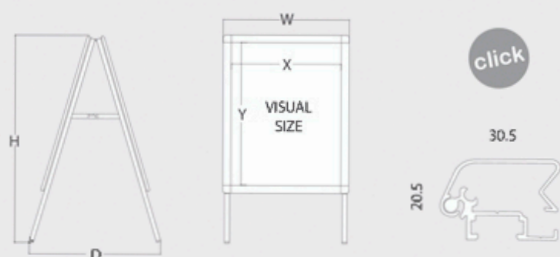


SIDEWALK DETAILS



DIMENSIONS

* W: Width H: Height D: Depth * mm



INFORMATION

Bayonne Sidewalk is made of aluminum so it is lightweight and resistant to rusting. It has feet protection to avoid slipping and a 30.5mm width profile with click system, so the graphic change is fast and simple. Also, it includes a weather resistant antireflection sheet so is also non-glare which allows it to be read under bright lights. With its 2-sided folding frame, The Bayonne Sidewalk is ideal for advertising sales inside or outside your store.

H700	QTY	N.W	G.W	C.B.M	Size (WxHxD)
Packing	1	4.85kg	6.5kg	0.068	509x1120x120
	Visual (X-Y)	External (WxHxD)			
Product	485x685	545x1030x532			

10.804 Graphic Size: 500x700mm

H1000	QTY	N.W	G.W	C.B.M	Size (WxHxD)
Packing	1	7.64kg	9.6kg	0.127	795x1400x115
	Visual (X-Y)	External (WxHxD)			
Product	687x986	745x1330x605			

10.805 Graphic Size: 700x1000mm

A1	QTY	N.W	G.W	C.B.M	Size (WxHxD)
Packing	1	6.7kg	8.5kg	0.101	695x1220x120
	Visual (X-Y)	External (WxHxD)			
Product	580x830	640x1170x540			

13.145 Graphic Size: A1

A0	QTY	N.W	G.W	C.B.M	Size (WxHxD)
Packing	1	10.2kg	12.45kg	0.175	930x1575x120
	Visual (X-Y)	External (WxHxD)			
Product	825x1170	885x1520x585			

13.146 Graphic Size: A0



BAYONNE



ANTIREFLECTION SHEET



- EN Antireflection sheet for snapframe.
- FR Antireflet pour cadres ou chevalets.
- PT Película antirreflexo para marcos e cavaletes.
- ES Antireflex para marcos y caballetes.

SHEET	SIZE
10.952	500x700mm
10.953	700x1000mm
10.992	A1 598x838mm
10.993	A0 838x1188mm



SIDEWALK DETAILS

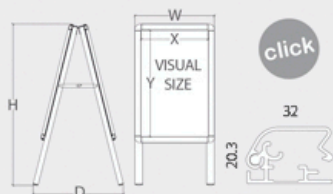
GRAPHIC BY CLICK FRAME



INFORMATION

* W: Width H: Height D: Depth * mm

Grenoble is a small dimensions A-frame aluminium board. It is lightweight and resistant to rusting. It has a 32mm click system profile. Grenoble is ideal for advertising events, menus or last offers outside your shop. Includes a weather resistant antireflection sheet.



GRENOBLE	QTY	N.W	G.W	C.B.M	Size (WxHxD)
Packing	1	4.3kg	5kg	0.0374	425x880x100
		Visual (X-Y)	External (WxHxD)		
Product	341x541		404x815x456		
10.942		Graphic Size: 340x540mm			

GRENOBLE



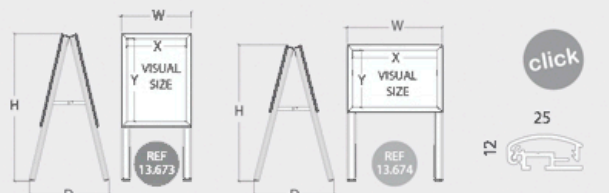
SIDEWALK DETAILS

GRAPHIC BY CLICK FRAME



INFORMATION

* W: Width H: Height D: Depth * mm



Poisat is a small dimensions aluminium A-frame Board. It is lightweight and resistant to rusting. It has a 25mm width click system profillet. Ideal for advertising your upcoming events, shows, menu or last offers at your show window. It includes a weather resistant antireflection sheet.

PORTRAIT	QTY	N.W	G.W	C.B.M	Size (WxHxD)
Packing	1	2.77kg	3.298kg	0.0244	340x715x85
		Visual (X-Y)	External (WxHxD)		
Product	279x402		332x699x379		
13.673		Graphic Size: A3 Portrait			
LANDSCAPE	QTY	N.W	G.W	C.B.M	Size (WxHxD)
Packing	1	2.63kg	3.257kg	0.0308	460x670x85
		Visual (X-Y)	External (WxHxD)		
Product	279x402		455x648x381		
13.674		Graphic Size: A3 Landscape			

POISAT



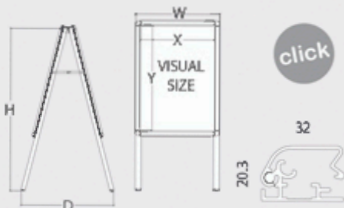
SIDEWALK DETAILS



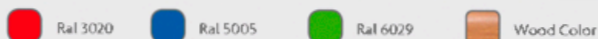
INFORMATION

* W: Width H: Height D: Depth * mm

Merida has a 32mm width aluminium profile with click system, so it is lightweight and resistant to rusting. Merida has feet protections to avoid slipping and a weather resistant antireflection sheet included. It is ideal for being used inside or outside of your business.



RAL COLORS AVAILABLE



MERIDA A1	QTY	N.W	G.W	C.B.M	Size (WxHxD)
Packing	1	7.92kg	9.69kg	0.098	660x1420x105
		Visual (X*Y)	External (WxHxD)		
Product		575x822	638x1400x698		GRAPHIC SIZE
10.337					A1
10.119					

MERIDA H700	QTY	N.W	G.W	C.B.M	Size (WxHxD)
Packing	1	5.64kg	6.7kg	0.072	575x1100x115
		Visual (X*Y)	External (WxHxD)		
Product		481x681	544x1050x598		GRAPHIC SIZE
10.338					500x700mm
10.122					



MERIDA H1000	QTY	N.W	G.W	C.B.M	Size (WxHxD)
Packing	1	8.94kg	10.67kg	0.127	765x1445x115
		Visual (X*Y)	External (WxHxD)		
Product		681x981	744x1400x799		GRAPHIC SIZE
10.339					700x1000mm
10.124					

MERIDA





SIDEWALK DETAILS

* mm

GRAPHIC BY CLICK FRAME



INFORMATION

The Dijon Sidewalk is designed for outdoor use so it's perfect for advertising outside or inside your store. It has a 32mm width aluminium profile with click system, so the graphic change is quick and simple. Thanks to its double-sided frame is ideal for displaying offers, menus, information maps, etc. It includes a weather resistant antireflection sheet.

DIJON H700	QTY	N.W	G.W	C.B.M	Size (WxHxD)
Packing	1	5kg	6.5kg	0.0877	580x120x135
		Visual (X*Y)	External (WxHxD)		
Product	478x678		542x1038x44		
10.558	Graphic Size: 500x700mm				
DIJON A1	QTY	N.W	G.W	C.B.M	Size (WxHxD)
Packing	1	6.4kg	8.5kg	0.0984	660x1420x105
		Visual (X*Y)	External (WxHxD)		
Product	572x819		636x1382x56		
10.557	Graphic Size: A1				
DIJON H1000	QTY	N.W	G.W	C.B.M	Size (WxHxD)
Packing	1	7.9kg	9.6kg	0.1562	790x1465x135
		Visual (X*Y)	External (WxHxD)		
Product	678x978		742x1382x56		
10.559	Graphic Size: 700x1000mm				



DIJON



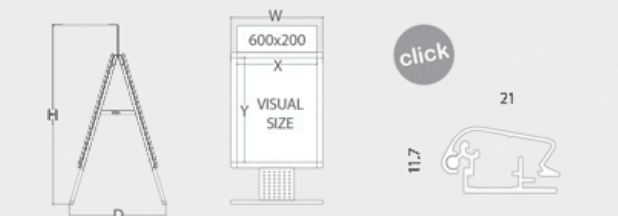
SIDEWALK DETAILS

GRAPHIC BY CLICK FRAME



INFORMATION

* mm

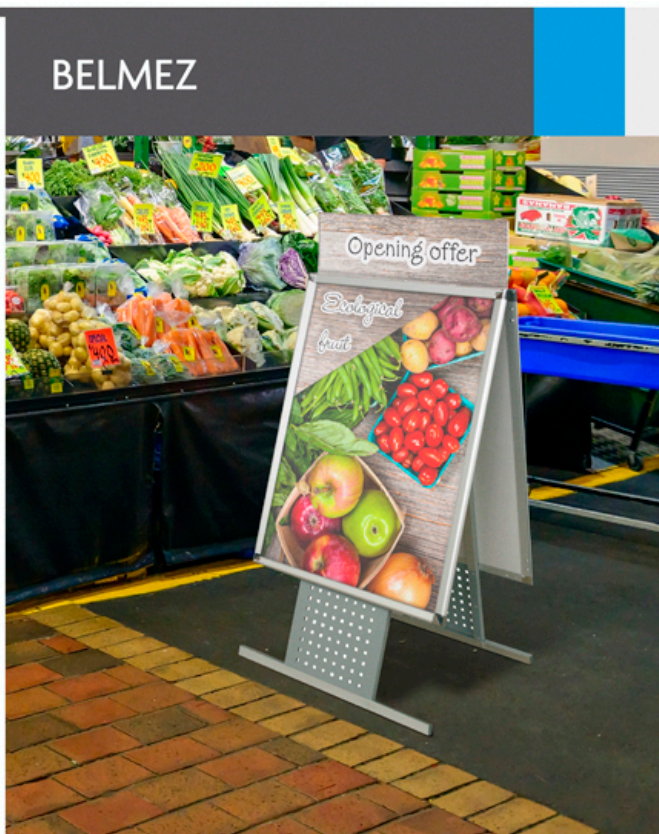


This double-sidewalk is made of aluminum so it is lightweight and resistant to rusting. It has a 21mm width click system profile. It features a headboard support for displaying a graphic. Ideal for outside or inside your store, restaurant, street stall or supermarket. It includes a weather resistant antireflection sheet.

BELMEZ	QTY	N.W	G.W	C.B.M	Size (WxHxD)
Packing	1	13.9kg	15.7kg	0.1085	690x1210x130
		Visual (X*Y)	External (WxHxD)		
Product	581x828		647x1160x625		
10.235	Graphic Size: A1				



BELMEZ

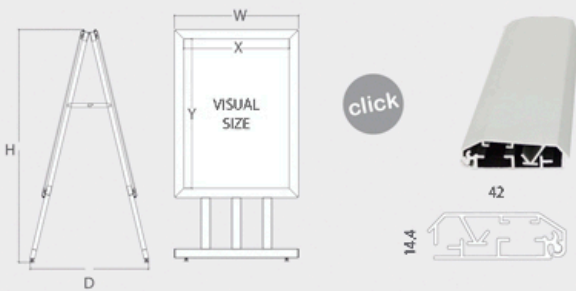


SIDEWALK DETAILS



DIMENSIONS

* W: Width H: Height D: Depth * mm



INFORMATION

Montanchez Sidewalk features and structure made of aluminum over a steel structure so this way, its extra weight gives a great stability and it's very resistant to rusting. It has non-slip leveling feet and also a 42mm width profile with click system, so the graphic change is quick and simple. With its double-sided folding frame, Montanchez is designed especially for outdoor use so it's perfect for advertising sales and promotions outside your store. It includes a weather resistant antireflection sheet so is also non-glare which allows it to be read under the bright lights.

H700	QTY	N.W	G.W	C.B.M	Size (WxHxD)
Packing	1	11.95kg	13.1kg	0.070	560x1090x115
		Visual (X-Y)	External (WxHxD)		
Product		480x660	564x1052x524		
10.127	Graphic Size: 500x700mm				

H1000	QTY	N.W	G.W	C.B.M	Size (WxHxD)
Packing	1	17.25kg	19.3kg	0.121	880x1375x100
		Visual (X-Y)	External (WxHxD)		
Product		680x960	764x1402x525		
10.128	Graphic Size: 700x1000mm				



H1400	QTY	N.W	G.W	C.B.M	Size (WxHxD)
Packing	1	25.5kg	28.5kg	0.1886	1100x1805x98
		Visual (X-Y)	External (WxHxD)		
Product		980x1360	1064x1802x566		
10.129	Graphic Size: 1000x1400mm				

MONTANCHEZ



SIDEWALK DETAILS



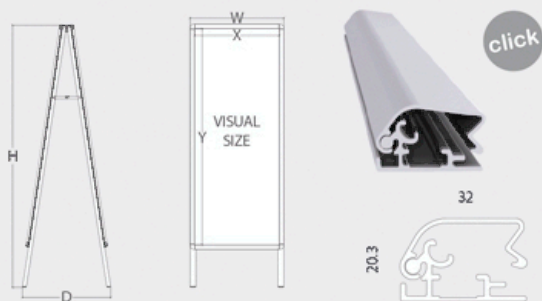
SIDEWALK DETAILS

GRAPHIC BY CLICK FRAME




DIMENSIONS

* W: Width H: Height D: Depth * mm



INFORMATION

The Poznan A-board frame is made of aluminum so it is lightweight and resistant to rusting and it is available on black or silver color. It has a 32mm width profile with click system, so the graphic change is quick and simple. Thanks its double-sided frame and its 1800mm height this A-Board is ideal for advertising large offers, menus, information maps, etc, outside or inside your business. It includes a weather resistant antireflection sheet so is also non-glare which allows it to be read under bright lights.

POZNAN	QTY	N.W	G.W	C.B.M	Size (WxHxD)
Packing	1	12.9kg	14.8kg	0.177	705x1860x135
		Visual (X-Y)	External (WxHxD)		
Product	581x1481		644x1800x600		
10.343		Graphic Size: 600x1500mm			



POZNAN

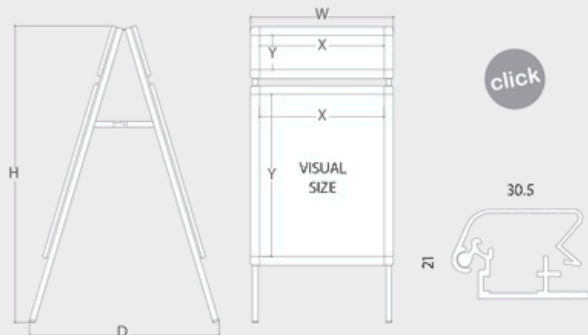


SIDEWALK DETAILS



DIMENSIONS

* W: Width H: Height D: Depth * mm



INFORMATION

Toulouse double-Sidewalk is made of aluminum so it is lightweight and resistant. It has a 30.5mm width profile with click system, so the graphic change is quick and simple. Also it includes a resistant antireflection sheet so is also non-glare which allows it to be read under bright lights. Features a headboard support for displaying company logos or graphs. Ideal for displaying sales or promotions at restaurants, stores, shops or supermarkets.

TOULOUSE QTY N.W G.W C.B.M Size (WxHxD)

Packing 1 9kg 11kg 0.1080 610x120x1380

Board Visual (X-Y) Upper Visual (X-Y) External (WxHxD)

Product 485x685 485x185 545x1210x630

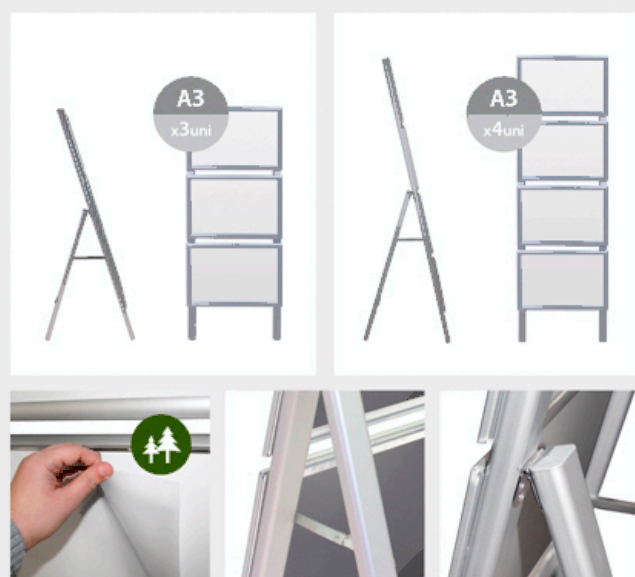
10.806 Board Graphic Size: 500x700mm Upper Graphic Size: 500x200mm



TOULOUSE



DISPLAY DETAILS

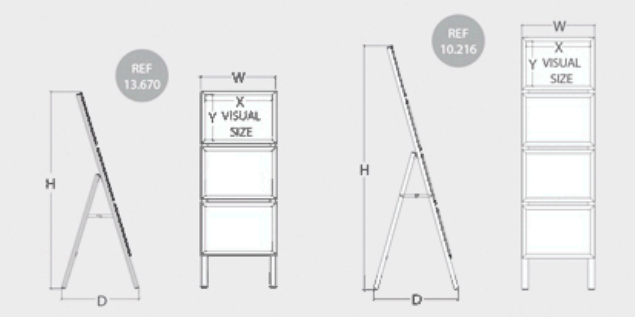


CLICK FRAME PROFILE DETAILS



DIMENSIONS

* W: Width H: Height D: Depth * mm



INFORMATION

This anodized aluminium A-Board is very lightweight, foldable for an easy storage and very resistant to rusting. It features a 25mm width profile with click system, so the graphic change is quick and simple. Also it includes a weather resistant antireflection sheet. The Mota A-Board range features 2 configurations of A3 frames. They are ideal for advertising sales or special promotions inside or outside your business. It's perfect for restaurants, stalls, stores or for any marketplace.

MOTA A3x3	QTY	N.W	G.W	C.B.M	Size (WxHxD)
Packing	1	4.2kg	5.218kg	0.0566	475x1255x95
		Visual (X*Y)			External (WxHxD)
Product	402x279		455x1182x466		



MOTA A3x4	QTY	N.W	G.W	C.B.M	Size (WxHxD)
Packing	1	5.7kg	6.7kg	0.0722	475x1600x95
		Visual (X*Y)			External (WxHxD)
Product	402x279		450x1330x490		



MOTA SINGLE-SIDED



NEW



SIDEWALK DETAILS

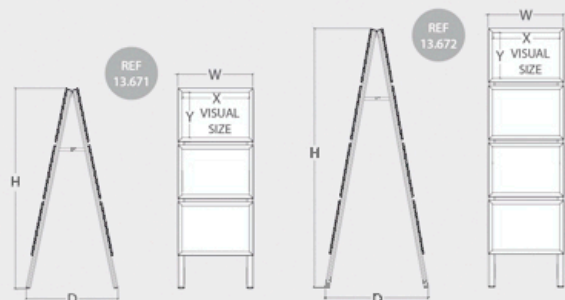


CLICK FRAME PROFILE DETAILS



DIMENSIONS

* W: Width H: Height D: Depth * mm



INFORMATION

This anodized aluminium A-Board is very lightweight, foldable for an easy storage and very resistant to rusting. It features a 25mm width profile with click system, so the graphic change is quick and very simple. Also it includes a weather resistant antireflection sheet so is also non-glare which allows it to be read under bright lights. The Mota A-Board range features 2 configurations of A3 frames. They are ideal for advertising sales or special promotions inside or outside your business. It's perfect for restaurants, stalls, stores or for any marketplace.

MOTA A3 3+3

QTY	N.W	G.W	C.B.M	Size (WxHxD)	
Packing	3	6.4kg	7.418kg	0.0566	475x1255x95
	Visual (X*Y)	External (WxHxD)			
Product	402x279	455x1207x553			
13.671	Graphic Size: A3 3+3				

MOTA A3 4+4

QTY	N.W	G.W	C.B.M	Size (WxHxD)	
Packing	1	8.3kg	9.559kg	0.0722	475x1600x95
	Visual (X*Y)	External (WxHxD)			
Product	402x279	455x1557x619			
13.672	Graphic Size: A3 4+4				



MOTA DOUBLE-SIDED



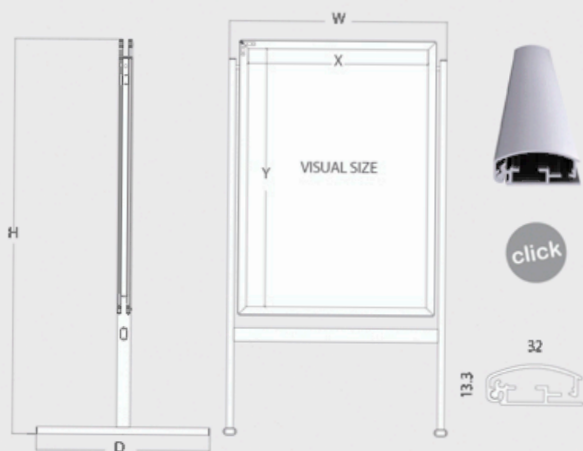
SIDEWALK DETAILS



revolving board

DIMENSIONS

* W: Width H: Height D: Depth * mm



INFORMATION

The Ibahernando Sidewalk is made of aluminum so it is lightweight and resistant to rusting and wind thanks its strong 847mm length feet. It features a 32mm width profile with click system, so the graphic change is fast and simple y a few seconds. Also it features a revolving board design and it includes a resistant antireflection sheet so is also non-glare which allows it to be read under bright lights. Ibahernando Sidewalk is ideal for displaying sales or promotions at restaurants, stores, shops or at supermarkets.

IBAHERNANDO	QTY	N.W	G.W	C.B.M	Size (WxHxD)
Packing	1	9.6kg	11.8kg	0.141	875x1535x105
		Visual (X-Y)	External (WxHxD)		
Product		686x986	821x1506x847		
10.165		Graphic Size: 700x1000mm			



IBAHERNANDO

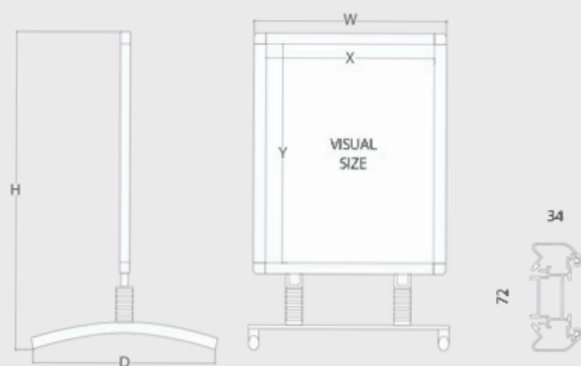


SIDEWALK DETAILS



DIMENSIONS

* W: Width H: Height D: Depth * mm



INFORMATION

Boal Sidewalk is made of aluminum and has a strong base and sturdy springboard design wich allows flexion in windy conditions. It has a 34mm width profile with click system, so the graphic change is quick and simple. It includes a resistant antireflection sheet so is also non-glare which allows it to be read under bright lights. Ideal for displaying outside your event, restaurant, street stall or supermarket for advertising offers or temporary exhibitions.

BOAL	QTY	N.W	G.W	C.B.M	Size (WxHxD)
Packing	1	7.8kg	9.4kg	0.066	750x1100x80
	1	4.55kg	4.85kg	0.009	140x670x100
		Visual (X-Y)	External (WxHxD)		
Product		570x815	640x1130x560		
10.166		Graphic Size: 605x860mm			



BOAL

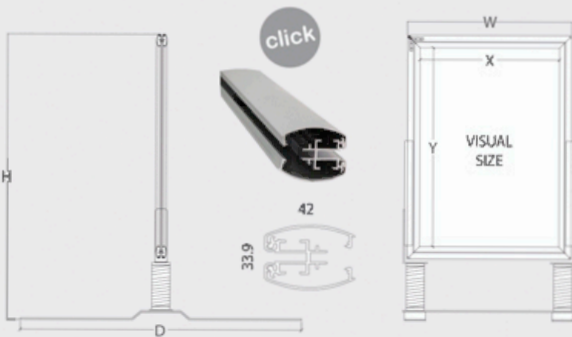


SIDEWALK DETAILS



DIMENSIONS

* W: Width H: Height D: Depth * mm



INFORMATION

Hervas Sidewalk is made of aluminum and has a strong base with a wide footprint and sturdy springboard design which allows the flexion in windy conditions. It has a 42mm width profile with click system, so the graphic change is quick and simple. It includes a resistant antireflection sheet. Ideal for being used inside or outside your gas station, restaurant, street stall or supermarket for advertising last promotions.

HERVAS H700	QTY	N.W	G.W	C.B.M	Size (WxHxD)
Packing	1	4.2kg	5.05kg	0.0373	765x595x65
	1	9.35kg	9.5kg	0.0043	1010x77x55
		Visual (X-Y)	External (WxHxD)		
Product	466x666	575x956x940			
10.161	Graphic Size: 500x700mm				

HERVAS H1000	QTY	N.W	G.W	C.B.M	Size (WxHxD)
Packing	1	6.75kg	8.45kg	0.0574	785x1125x65
	1	9.35kg	9.5kg	0.0043	1010x77x55
		Visual (X-Y)	External (WxHxD)		
Product	666x966	750x1256x940			
10.162	Graphic Size: 700x1000mm				

HERVAS H1000	QTY	N.W	G.W	C.B.M	Size (WxHxD)
Packing	1	6.75kg	8.45kg	0.0574	785x1125x65
	1	9.35kg	9.5kg	0.0043	1010x77x55
		Visual (X-Y)	External (WxHxD)		
Product	666x966	750x1256x940			
10.162	Graphic Size: 700x1000mm				

HERVAS H1000	QTY	N.W	G.W	C.B.M	Size (WxHxD)
Packing	1	6.75kg	8.45kg	0.0574	785x1125x65
	1	9.35kg	9.5kg	0.0043	1010x77x55
		Visual (X-Y)	External (WxHxD)		
Product	666x966	750x1256x940			
10.162	Graphic Size: 700x1000mm				

HERVAS H1000	QTY	N.W	G.W	C.B.M	Size (WxHxD)
Packing	1	6.75kg	8.45kg	0.0574	785x1125x65
	1	9.35kg	9.5kg	0.0043	1010x77x55
		Visual (X-Y)	External (WxHxD)		
Product	666x966	750x1256x940			
10.162	Graphic Size: 700x1000mm				

HERVAS H1000	QTY	N.W	G.W	C.B.M	Size (WxHxD)
Packing	1	6.75kg	8.45kg	0.0574	785x1125x65
	1	9.35kg	9.5kg	0.0043	1010x77x55
		Visual (X-Y)	External (WxHxD)		
Product	666x966	750x1256x940			
10.162	Graphic Size: 700x1000mm				

HERVAS H1000	QTY	N.W	G.W	C.B.M	Size (WxHxD)
Packing	1	6.75kg	8.45kg	0.0574	785x1125x65
	1	9.35kg	9.5kg	0.0043	1010x77x55
		Visual (X-Y)	External (WxHxD)		
Product	666x966	750x1256x940			
10.162	Graphic Size: 700x1000mm				

HERVAS H1000	QTY	N.W	G.W	C.B.M	Size (WxHxD)
Packing	1	6.75kg	8.45kg	0.0574	785x1125x65
	1	9.35kg	9.5kg	0.0043	1010x77x55
		Visual (X-Y)	External (WxHxD)		
Product	666x966	750x1256x940			
10.162	Graphic Size: 700x1000mm				

HERVAS H1000	QTY	N.W	G.W	C.B.M	Size (WxHxD)
Packing	1	6.75kg	8.45kg	0.0574	785x1125x65
	1	9.35kg	9.5kg	0.0043	1010x77x55
		Visual (X-Y)	External (WxHxD)		
Product	666x966	750x1256x940			
10.162	Graphic Size: 700x1000mm				

HERVAS H1000	QTY	N.W	G.W	C.B.M	Size (WxHxD)
Packing	1	6.75kg	8.45kg	0.0574	785x1125x65
	1	9.35kg	9.5kg	0.0043	1010x77x55
		Visual (X-Y)	External (WxHxD)		
Product	666x966	750x1256x940			
10.162	Graphic Size: 700x1000mm				

HERVAS H1000	QTY	N.W	G.W	C.B.M	Size (WxHxD)
Packing	1	6.75kg	8.45kg	0.0574	785x1125x65
	1	9.35kg	9.5kg	0.0043	1010x77x55
		Visual (X-Y)	External (WxHxD)		
Product	666x966	750x1256x940			
10.162	Graphic Size: 700x1000mm				

HERVAS H1000	QTY	N.W	G.W	C.B.M	Size (WxHxD)
Packing	1	6.75kg	8.45kg	0.0574	785x1125x65
	1	9.35kg	9.5kg	0.0043	1010x77x55
		Visual (X-Y)	External (WxHxD)		
Product	666x966	750x1256x940			
10.162	Graphic Size: 700x1000mm				

HERVAS H1000	QTY	N.W	G.W	C.B.M	Size (WxHxD)
Packing	1	6.75kg	8.45kg	0.0574	785x1125x65
	1	9.35kg	9.5kg	0.0043	1010x77x55
		Visual (X-Y)	External (WxHxD)		
Product	666x966	750x1256x940			
10.162	Graphic Size: 700x1000mm				

HERVAS H1000	QTY	N.W	G.W	C.B.M	Size (WxHxD)
Packing	1	6.75kg	8.45kg	0.0574	785x1125x65
	1	9.35kg	9.5kg	0.0043	1010x77x55
		Visual (X-Y)	External (WxHxD)		
Product	666x966	750x1256x940			
10.162	Graphic Size: 700x1000mm				

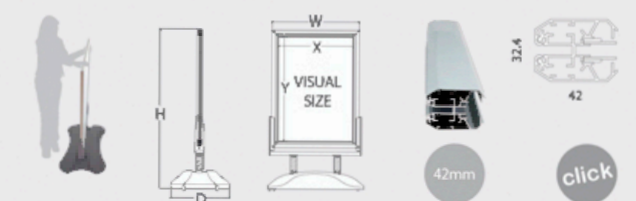
HERVAS



SIDEWALK DETAILS



DIMENSIONS



INFORMATION

This waterproof Click Board is designed especially for outdoor use. The heavy-duty, molded plastic base features a screw-in cap and can be filled with 24l of water for 10.341 and 10.115 models and 52l for 10.116 and 10.342. Also it has a 42mm width waterproof profile with click system, so the graphic change is quick and simple (weather resistant antireflection sheet included). Built-in wheels also make this board easy to move as needed. To further enhance its stability Arcachon features rugged springs to reduce the impact of wind. Ideal for displaying outside the restaurants, street stall, events, supermarkets or fuel stations.

ARCACHON H500	QTY	N.W	G.W	C.B.M	Size (WxHxD)
Packing	1 Frame	6.75kg	8.1kg	0.0475	660x900x80
	1 Base	3.7kg	4.4kg	0.068	800x170x500
		Visual (X-Y)	External (WxHxD)		
Product		478x678	542x1038x510		
10.115			Graphic Size: 500x700mm		

ARCACHON A1	QTY	N.W	G.W	C.B.M	Size (WxHxD)
Packing	1 Frame	8.1kg	9.2kg	0.0616	740x1040x90
	1 Base	3.7kg	4.4kg	0.068	800x170x500
		Visual (X-Y)	External (WxHxD)		
Product		572x819	636x1382x510		
10.341			Graphic Size: A1		

ARCACHON H700	QTY	N.W	G.W	C.B.M	Size (WxHxD)
Packing	1 Frame	9.1kg	10.5kg	0.0745	810x1150x80
	1 Base	5.75kg	6.5kg	0.1085	970x170x180
		Visual (X-Y)	External (WxHxD)		
Product		678x978	742x1382x510		
10.116			Graphic Size: 700x1000mm		

ARCACHON A0	QTY	N.W	G.W	C.B.M	Size (WxHxD)
Packing	1 Frame	10.25kg	11.60kg	0.1051	980x1340x80
	1 Base	5.75kg	6.5kg	0.1085	970x170x180
		Visual (X-Y)	External (WxHxD)		
Product		833x1182	920x1510x510		
10.342			Graphic Size: A0		



ARCACHON



ANTIREFLECTION SHEET

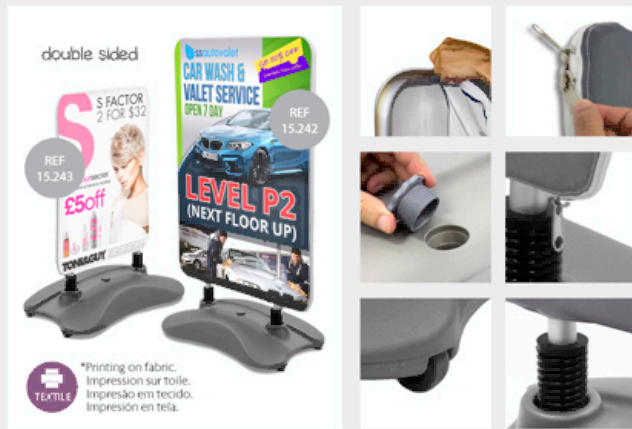


- EN Antireflection protector sheet for snapframes.
- FR Antireflet pour cadres ou chevalets.
- PT Pelicula antireflexo para marcos e cavaletes.
- ES Protector antireflex para marcos y caballetes.

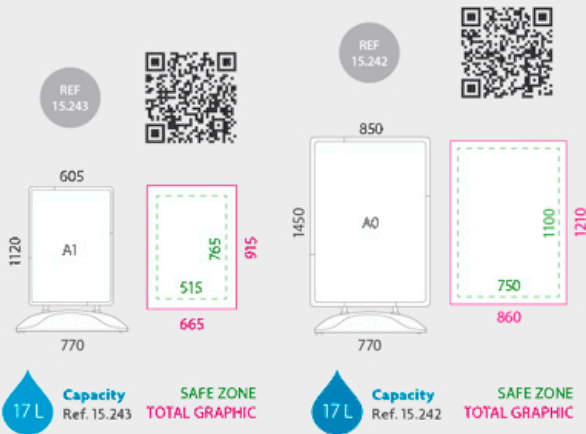
SHEET	SIZE
13.836	534x734mm
13.837	735x1034mm
13.838	628x875mm
13.839	875x1223mm



SIDEWALK DETAILS



EXTERNAL SIZES & DOWNLOADABLES ARTWORKS (QR CODE) *mm



INFORMATION

The Mikonos Sidewalk features a lightweight aluminum structure with a refillable plastic base that assembles in seconds (It is 3.95kg weight and it can be filled with 17l of water or sand). Also, the Textile Boards are also simple to setup. All the aluminium poles fit together and snap into base. Simply stretch the wrap over the completed base and it's ready to use. The aluminium structure is affixed to the base with 2 large springs, so it stays stable in windy conditions. Built-in wheels also make this board easy to move as needed. A Nylon Carrying bag is included for an easy storage and transportation. Ideal for denoting your business with the innovative design and versatility of textil printing. The Sidewalk is ideal for being used inside or outside of your restaurant, workshop, street stall, supermarket or heavily-trafficked areas such as tradeshows, events or conventions.

MIKONOS A1	QTY	N.W	G.W	C.B.M	Size (WxHxD)
Packing	1	7.5kg	9.5kg	0.11	520x940x230
15.243	Graphic Size:665x915mm				



MIKONOS A0	QTY	N.W	G.W	C.B.M	Size (WxHxD)
Packing	1	8kg	10kg	0.11	520x940x230
15.242	Graphic Size:860x1210mm				



MIKONOS



* Custom textil printing in full color is available but not included.

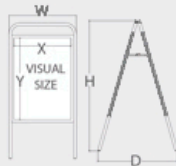


SIDEWALK DETAILS



INFORMATION

Kerry 2-sided structure is made of durable lacquered galvanized steel, ensuring years of durability and functionality, available in 3 colors. Designed for indoor and outdoor use. The non-glare protective cover (included) attaches easily using magnets. Ideal to advertise home sales, open houses, restaurant specials, or store sales.

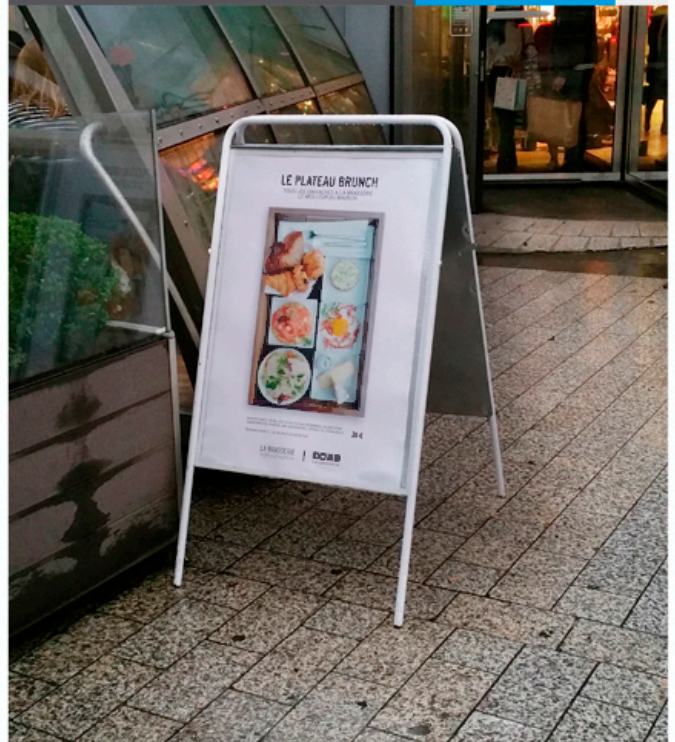


KERRY H700	QTY	N.W	G.W	C.B.M	Size (WxHxD)
Packing	1	11.8kg	12.7kg	0.0504	575x80x1095
		Visual (X-Y)	External (WxHxD)		
Product		462x662	544x1056x647		
10.691	<input type="radio"/>	<input type="radio"/>	<input type="radio"/>	Graphic Size: 500x700mm	

KERRY H1000	QTY	N.W	G.W	C.B.M	Size (WxHxD)
Packing	1	16.35kg	17.9kg	0.0766	760x70x1440
		Visual (X-Y)	External (WxHxD)		
Product		662x962	744x1345x814		
10.692	<input type="radio"/>	<input type="radio"/>	<input type="radio"/>	Graphic Size: 700x1000mm	



KERRY

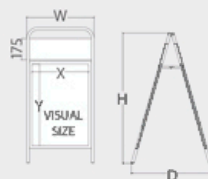


SIDEWALK DETAILS



INFORMATION

Cork 2-sided structure is made of durable lacquered galvanized steel available in 3 colors. Designed for indoor and outdoor use. Also it features a top header area. The non-glare protective cover (included) attaches easily using magnets. Ideal to advertise home sales, open houses, restaurant menu specials or store sales.



CORK H700	QTY	N.W	G.W	C.B.M	Size (WxHxD)
Packing	1	11.7kg	12.7kg	0.0459	460x70x1170
		Visual (X-Y)	External (WxHxD)		
Product		462x662	544x1056x647		
504x175	<input type="radio"/>	<input type="radio"/>	<input type="radio"/>	Graphic Size: 500x700mm Top Header Gr.Size: 175x504mm	

CORK H1000	QTY	N.W	G.W	C.B.M	Size (WxHxD)
Packing	1	18.65kg	20.2kg	0.0766	760x70x1440
		Visual (X-Y)	External (WxHxD)		
Product		662x962	744x1345x814		
704x175	<input type="radio"/>	<input type="radio"/>	<input type="radio"/>	Graphic Size: 700x1000mm Top Header Gr. Size: 175x704mm	



CORK





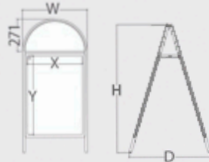
SIDEWALK DETAILS



INFORMATION

*mm

Monaghan 2-sided board is made of durable lacquered galvanized steel available in 3 colors. Designed for indoor and outdoor use. With a top header for a graphic and a non-glare protective cover. Ideal to advertise home sales, open houses, restaurant menu specials or store sales.



H700 QTY N.W G.W C.B.M Size (WxHxD)

Packing	1	11.7kg	12.7kg	0.0459	560x70x170
		Visual (X-Y)	Visual Top (X-Y)		External (WxHxD)
Product		462x662	502x250		683x1078x683

10.699 Graphic Size: 500x700mm
Top Header Gr. Size: 514x256mm



H1000 QTY N.W G.W C.B.M Size (WxHxD)

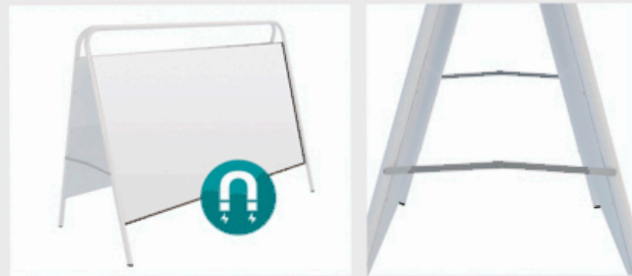
Packing	1	7.5kg	8.9kg	0.0702	765x60x1530
		Visual (X-Y)	Visual Top (X-Y)		External (WxHxD)
Product		702x1002	702x361		742x1523x675

10.700 Graphic Size: 700x1000mm
Top Header Gr. Size: 714x357mm

MONAGHAN



SIDEWALK DETAILS



DIMENSIONS - LIFFORD JOINING USE



INFORMATION

Lifford 2-sided board is made of durable white lacquered galvanized steel. Designed for both indoor and outdoor. With non-glare protective cover included which attaches easily to the front using magnets. Ideal to use together with other(s) Lifford for creating a large billboard (see upper example).

LIFFORD QTY N.W G.W C.B.M Size (WxHxD)

Packing	1	15.7kg	17kg	0.0751	935x65x1235
		Visual (X-Y)	External (WxHxD)		
Product		1120x504	1200x872x505		

10.701 Graphic Size: 1156x600mm



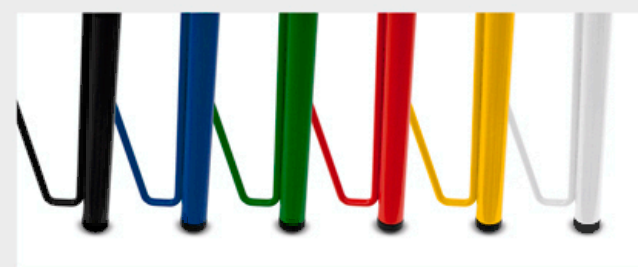
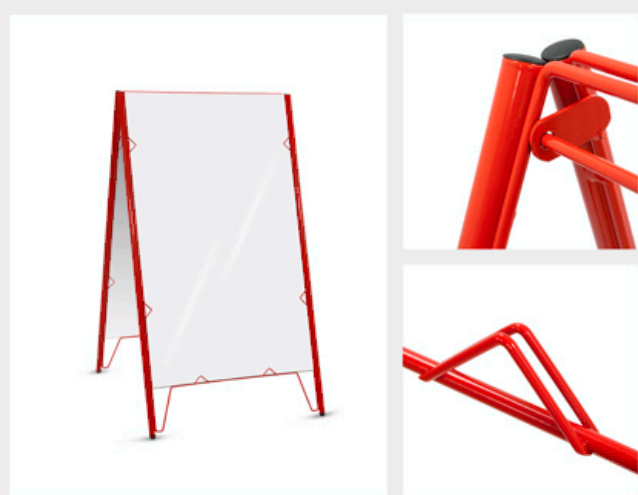
LIFFORD



* 10.701 Lifford Board at this page is sold by units, the image represented is just one example of its joint use.

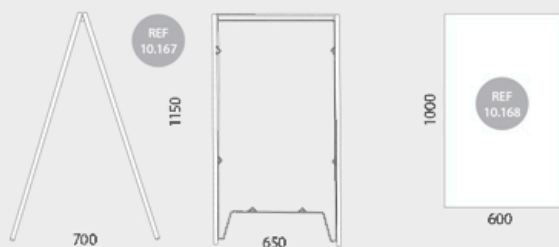


SIDEWALK DETAILS



DIMENSIONS

*mm



INFORMATION

The Steel A-board is made of durable Epoxi painted Steel. Featuring 6 colors available and the possibility of being used with a white board panel which is sold separately (10.168). Ideal to advertise home sales, open houses, restaurant specials, store sales or promotional services. To change out signs, just slide the poster through the steel holders.

STEEL A-BOARD	QTY	N.W	G.W	C.B.M	Size (WxHxD)
Packing	1	6kg	6.7kg	0.0523	1200x65x670
		Visual (X*Y)			External (WxHxD)
Product		600x1000			650x1150x700
10.167					
WHITEBOARD P.	QTY	N.W	G.W	C.B.M	Size (WxHxD)
Packing	1	1kg	1kg	0.0523	1200x65x670
10.168					Total Size: 600x1000mm



STEEL A-BOARD





DOVER

SIDEWALK DETAILS



INFORMATION

* W: Width H: Height D: Depth * mm

The double-sided Dover A-Board features 3 different models, the first one comes with handle for an easy transportation, second one features all along customizable front for a great visual impact and the third model features a Blackboard in front of both sides.



DOVER	QTY	N.W	G.W	C.B.M	Size (WxHxD)
Packing	1	1.4kg	2kg	0.0258	525x55x895
	Visual (X-Y)	13.129	Visual (X-Y)	13.130 13.131	External (WxHxD)
Product	480x715		480x815		500x820x665
13.129	Graphic Size: 480x715mm				
13.130	Graphic Size: 480x815mm				
13.131	Blackboard: 480x815mm				



STAND DETAILS



INFORMATION

DIMENSIONS

*mm

The Neiva stand A-Board has a white finish so it is ideal for customizing with your own offers or graphics. Inexpensive, durable and lightweight, making it easy to relocate as often as needed and also it's assembled in seconds. Neiva is perfect as Eye-catching advertisement for products promotion at point of sale, malls, retail stores, shopping markets.



NEIVA	QTY	N.W	G.W	C.B.M	Size (WxHxD)
Packing	2	1.74kg	2.74kg	0.0569	1055x980x55mm
13.748	460x100x670mm				x2



NEIVA



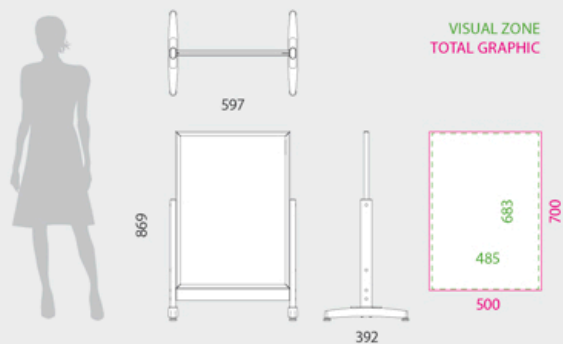


SIDEWALK DETAILS



DIMENSIONS

ARTWORK *mm



INFORMATION

Aluminium Board Display is lacquered in gray RAL 9006 and features an easy to load and upload system. With adjustable stability sturdy feet and an easy glide for the 700mm height graphic poster (9mm max.thickness) into the metal grooves of the structure and display it back-to-back. Ideal for promoting at trade shows, outside your office or showroom.

A. BOARD D.	QTY	N.W	G.W	C.B.M	SIZE
Packing	1	3.29kg	4.48kg	0.0436	880x600x75mm

13.598 Graphic Size: 500x700mm



ALUMINIUM BOARD FRAME BASE





SIDEWALK DETAILS



DIMENSIONS

ARTWORK

*mm



550mm

550mm

700mm

748mm

VISUAL ZONE: 550x700mm
TOTAL GRAPHIC: 550x748mm

INFORMATION

This sidewalk double sided board is built with long-lasting plastic to resist rust and other weather-related damage. Able to fit 550x748mm posters (5mm maximum thick). Fast and simple change of graphic thanks its top insert slots. Delta is lightweight and it folds down quickly for carrying and an easy storage. The non-slip feet keep them steady on both pavement and bumpy grass. It is perfect for any high-traffic area.

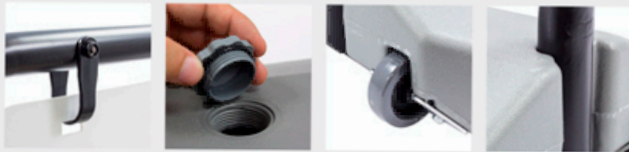
DELTA



DELTA	QTY	N.W	G.W	C.B.M	SIZE
Packing	1	7kg	8kg	0.05	630x80x1010mm
10.679		Graphic Size: 550x748mm			



SIDEWALK DETAILS



OCEAN



TRANSPORT INSTRUCTIONS



- 1 First, use the foot to tilt the board slightly toward to you.
- 2 Then, move the Ocean Display behind you using its wheels.

INFORMATION

DIMENSIONS *mm

Resting on a plastic 10L water-refillable base, Ocean outdoor unit is designed for indoor and outdoor use. With an oscillating 620x1000mm board, the advertising options are numerous for your business outdoor sign. Each board is double-sided for twice the promotion. When you need to move the unit, the built-in wheels let you easily reposition to a better location or bring it inside at the end of the work day.



OCEAN	QTY	N.W	G.W	C.B.M	SIZE
Packing	1	5.4kg	7.0kg	0.17	1100x140x1100mm
10.305		Graphic Size: 500x750mm			





La Cartelera y el Equipamiento Comercial, SL

Calle Luis I, 45 Nave A
Poligono Industrial de Vallecas
28031 Madrid

info@doncarteltienda.es

**Teléfono gratuito de atención a clientes:
900 897 122**

Horario de Lunes a Jueves:
De 9 a 14 h y de 16 a 18 h.

Horario Viernes: De 9 a 14 h.



facebook.com/doncarteltienda



[@doncarteltienda](https://twitter.com/doncarteltienda)



youtube.com/c/DoncarteltiendaEstuweb



instagram.com/doncarteltienda/



es.pinterest.com/doncarteltienda/doncarteltienda



<https://es.linkedin.com/in/doncarteltienda>