

8
1
0
2

cartelería
portaprecios

Perfiles **ETIQUETEROS** y **PORTA ETIQUETAS**

Perfiles ETIQUETEROS y PORTA ETIQUETAS

Perfiles etiqueteros

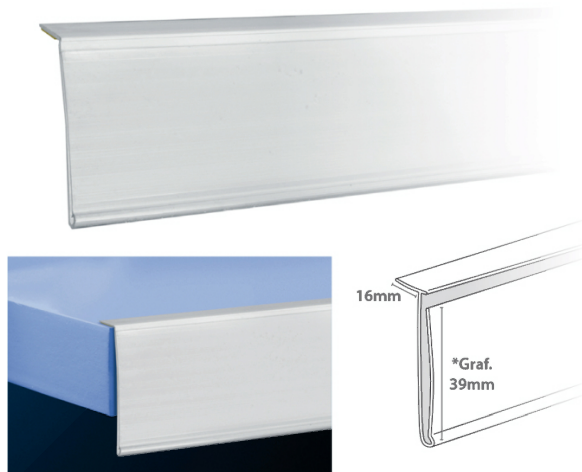
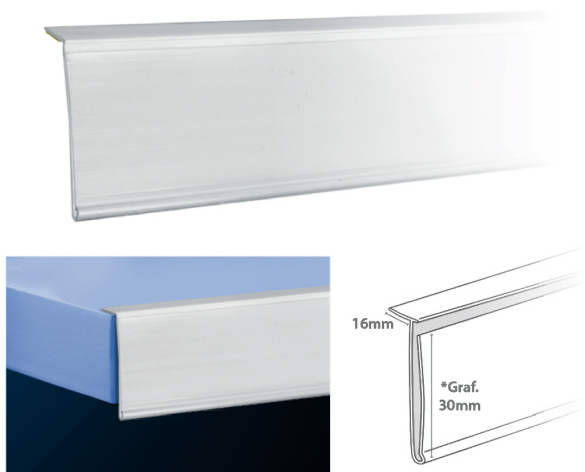


EN Complete range of priceholer profiles for making easier the linear management in your store.
FR Une gamme complète de profils pour lui faciliter la gestion des linéaires de son magasin.

PT Gama completa de perfis porta preços.
ES Completa gama de perfiles portaprecios para facilitarle la gestión de los lineales de su tienda.

L-30 Adhesive Profile

L-39 Adhesive Profile

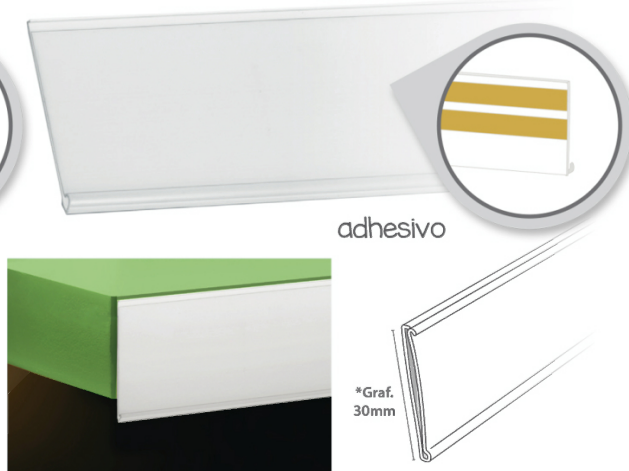
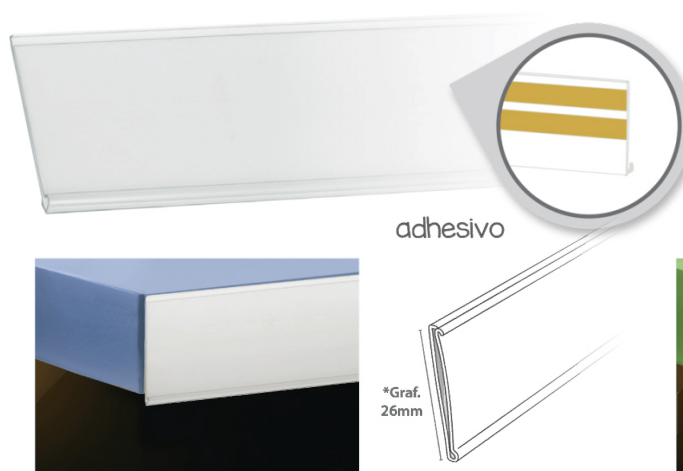


L-30 Profile	Colour	Length		
50.222	<input type="checkbox"/>	1000mm	x25	
50.221	<input type="checkbox"/>	1320mm	x25	

L-39 Profile	Colour	Length		
50.223	<input type="checkbox"/>	1000mm	x25	
50.224	<input type="checkbox"/>	1320mm	x25	
50.117	<input type="checkbox"/>	2700mm	x25	

A-26 Adhesive Profile

A-30 Adhesive Profile



A-26 Profile	Colour	Length		
50.211	<input type="checkbox"/>	1000mm	x25	
50.212	<input type="checkbox"/>	1320mm	x25	
50.268	<input type="checkbox"/>	2700mm	x25	

A-30 Profile	Colour	Length		
50.213	<input type="checkbox"/>	1000mm	x25	
50.214	<input type="checkbox"/>	1320mm	x25	
50.114	<input type="checkbox"/>	2700mm	x25	

Perfiles ETIQUETEROS y PORTA ETIQUETAS

Perfiles etiqueteros



A-40 Adhesive Profile

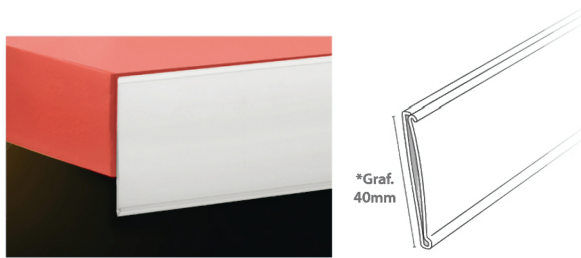
A-60 Adhesive Profile



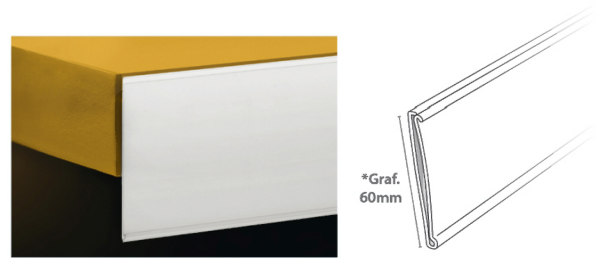
adhesivo



adhesivo



*Graf. 40mm



*Graf. 60mm

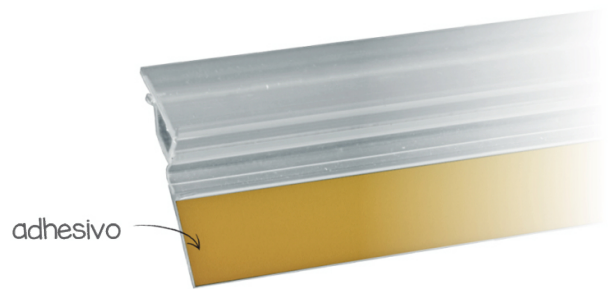
A-40 Profile	Colour	Length	
50.208	<input type="checkbox"/>	1000mm	x25
50.209	<input type="checkbox"/>	1320mm	x25
50.210	<input type="checkbox"/>	2700mm	x25



A-60 Profile	Colour	Length	
50.215	<input type="checkbox"/>	1000mm	x25
50.216	<input type="checkbox"/>	1320mm	x25
50.217	<input type="checkbox"/>	2700mm	x25



Adhesive Hinge Profile



adhesivo

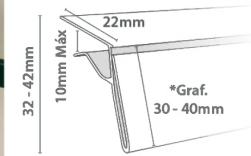
Hinge Profile	Colour	Length	
50.105	<input checked="" type="checkbox"/>	120mm	x100
50.106	<input checked="" type="checkbox"/>	150mm	x100
50.250	<input checked="" type="checkbox"/>	2000mm	x25



Perfiles ETIQUETEROS y PORTA ETIQUETAS

Perfiles etiqueteros

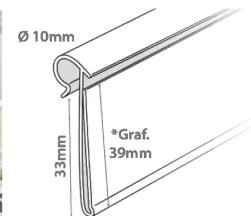
Glass Price Holder Profile



Glass Profile	Colour	Size	
50.265		30x1000mm	x25
50.266		30x1320mm	x25
50.270		40x1000mm	x25
50.271		40x1320mm	x25



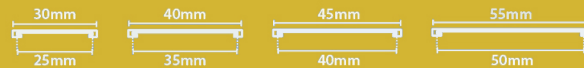
Wire Price Holder Profile



Wire Profile	Colour	Length	
50.219		1000mm	x25
50.220		1320mm	x25



Magnetic Price Holder Profile



Magnetic Profile	Colour	Size	
50.236		25x1000mm	x1
50.237		25x1320mm	x1
50.238		35x1000mm	x1
50.239		35x1320mm	x1



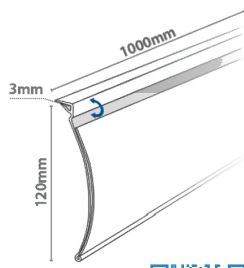
Magnetic Profile	Colour	Size	
50.240		40x1000mm	x1
50.241		40x1320mm	x1
50.242		50x1000mm	x1
50.243		50x1320mm	x1



Perfiles ETIQUETEROS y PORTA ETIQUETAS

Perfiles etiqueteros

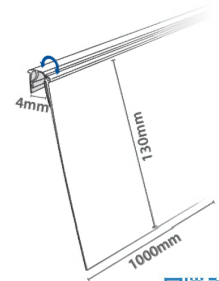
Curved Hinge Stopper



Curved Stopper	Colour	Size	
50.254		1000mm	x25



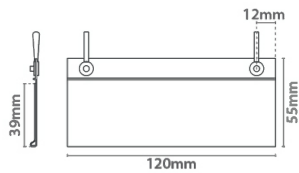
Straight Hinge Stopper



Straight Stopper	Colour	Size	
50.255		1000mm	x25



Hanging Label Holder

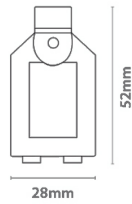


Hanging Label	Colour	Length	
12.295		55x1200mm	x50

Perfiles ETIQUETEROS y PORTA ETIQUETAS

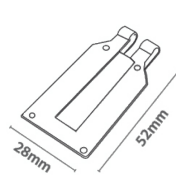
Accesorios de ganchos

Euro Hook Label Holder



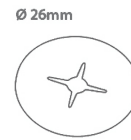
Euro Label	Label				
50.119	27x31mm	x100			

Overarm Label Holder



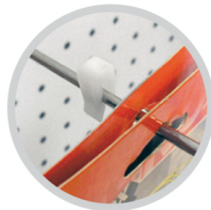
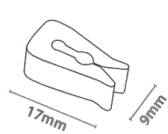
Overarm Label	Label				
50.123	27x31mm	x100			

Round Stock Limiter



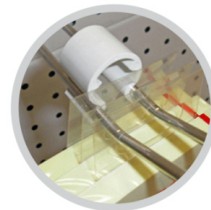
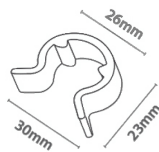
Simple Limit					
12.280	Ø 26mm	x50			

Simple Hook Stock Limiter



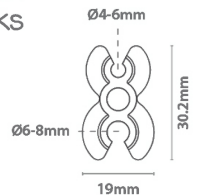
Round Limit					
12.282	9x17mm	x50			

Double Hook Stock Limiter



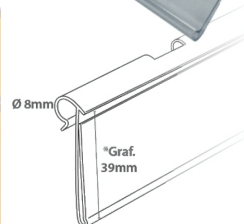
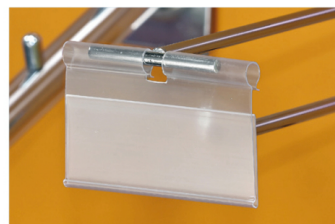
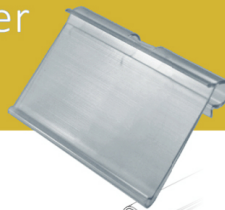
Double Limit					
12.281	26mm	x50			

Multi Hook Stock Limiter



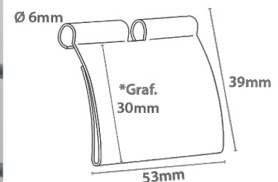
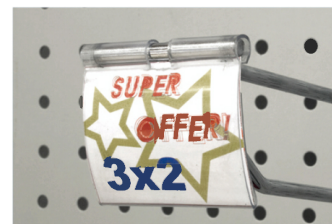
Multi Limiter					
12.549	Ø 4-8mm	x50			

Straight Price Holder for Hooks



Straight	Colour	Length			
50.107		53mm	x100		
50.100		65mm	x100		
50.101		105mm	x100		

Curved Price Holder for Hooks



Curved	Colour	Length			
50.102		53mm	x100		
50.109		65mm	x100		

Perfiles ETIQUETEROS y PORTA ETIQUETAS

Portaetiquetas |



CURVED STOPPER CLIP HOLDER

INFORMATION

This Curved Clip is ideal for attaching cards and being used as promotion Stoppers on shelving.

STOPPER	SIZE		
✿ 12.474	41x46mm	x100	

STRAIGHT STOPPER CLIP HOLDER

INFORMATION

This Curved Clip is ideal for attaching cards and being used as promotion Stoppers on shelving.

STOPPER	SIZE		
✿ 12.071	40x15mm	x100	

CLIP 39mm DATA STRIP

NEW

INFORMATION

This 48mm length Clip with hook is ideal for being used on data strips at point of sale..

STRIP	SIZE		
✿ 12.451	15x48mm	x100	

SHELF LABEL HOLDER

INFORMATION

Transparent Holder ideal for attaching labels on shelving. It fits 4 sizes of labels.

SHELF LABEL	SIZE		
✿ 12.414	78x152mm	x50	
✿ 12.417	78x203mm	x50	
✿ 12.419	106x152mm	x50	
✿ 12.421	106x203mm	x50	

HANGING LABEL HOLDER

INFORMATION

This Label Holder features a 120x39mm card holder and 2 plastic hangers. This label is ideal for promotion or as pricing holder for rods.

HANG LABEL	GRAPHIC SIZE		
✿ 12.295	120x39mm	x50	

SHELF STRIP LABEL HOLDER

max. graphic thickness: 1mm

INFORMATION

This transparent holder is ideal for being used for pricing at supermarkets.

STRIP LABEL	SIZE		
✿ 12.458	14x25mm	x100	

STOPPER SLEEVE HOLDER

ideal as a stopper support

INFORMATION

This transparent Sleeve Clip Holder is ideal for being used as a stopper support.

SLEEVE	SIZE		
✿ 12.527	215x112mm	x20	

Perfiles ETIQUETEROS y PORTA ETIQUETAS

Portaetiquetas |

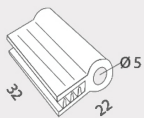


HOOK STOPPER GRIPPER



INFORMATION *mm

This hook stopper is 32mm length and is made of transparent plastic and has a gripper for attaching promotion cards or price labels in front of the prongs.



STOPPER	LENGTH	
12.450	32mm	x100

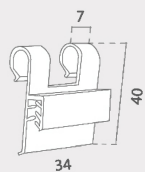


HOOK FRONT GRIPPER



INFORMATION *mm

This front gripper is made of transparent plastic and it has a gripper for attaching price labels. It is ideal for placing in front of hooks or wire baskets.



FRONT	SIZE	
12.230	34x40mm	x100



ADHESIVE COUPON LABEL HOLDER

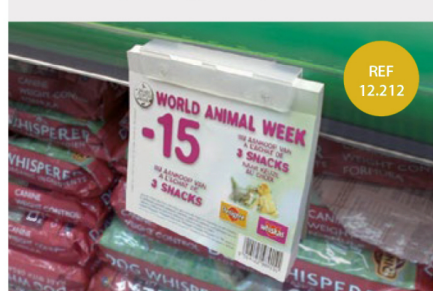


with adhesive



INFORMATION

This coupon holder has a resistant back adhesive strip. 2 thicknesses available, 8mm for 75 coupons (115g paper) or 18mm for 125 coupons (115g paper). Ideal for promoting at supermarkets shelves.



REF 12.212

ADHESIVE	THICKNESS	
12.212	8mm	x20
12.214	18mm	x20



EURO HOOK LABEL HOLDER



INFORMATION *mm

This label holder is made of transparent plastic and it has a space for inserting the promotion or the label price (27x31mm). It is ideal for the euro hooks.



EURO LABEL	GRAPHIC SIZE	
50.119	27x31mm	x100

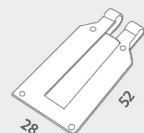


OVERARM LABEL HOLDER



INFORMATION *mm

This overarm label holder is made of transparent plastic and it has a space for inserting the promotion card or label price (27x31mm).



OVERARM	GRAPHIC SIZE	
50.123	27x31mm	x100



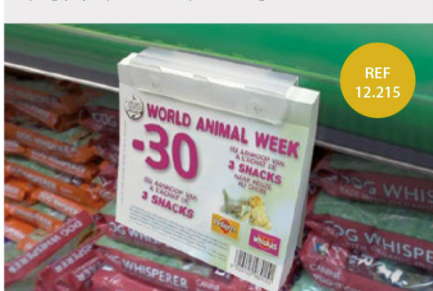
GRIPPER COUPON LABEL HOLDER



with 75mm gripper

INFORMATION

This coupon holder features a back gripper for attaching to the front of the shelves. 2 thickness: 8mm for 75 coupons (115g paper) or 18mm for 125 coupons (115g paper). Ideal for promoting at markets shelves.



REF 12.215

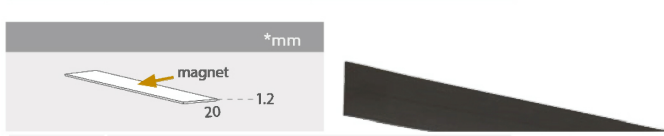
GRIPPER	THICKNESS	
12.213	8mm	x20
12.215	18mm	x20



MAGNETIC STRIP BY LINEAL METERS



16.087	Adhesive	Size: 20x1.2mm
--------	----------	----------------



16.088	Magnetic	Size: 20x1.2mm
--------	----------	----------------



Perfiles ETIQUETEROS y PORTA ETIQUETAS

GRIPPERS |

EN Gripper system used for holding, placement, binding and joining of signage at the point of sale. Wide range of applications.

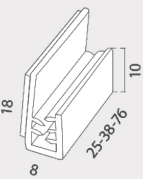

FR Système de fixation pour une signalisation au point de vente. Plusieurs applications possibles.

PT Grippers com diferentes aplicações, para colocação em pontos de venda. Adaptam-se a qualquer tipo de suporte.

ES Sistema de Grippers para la sujeción, colocación y unión de cartelería en el punto de venta. Multitud de aplicaciones posibles.

INFORMATION *mm





This gripper fits into most of shelving profiles. Suitable as a front support on shelves. With transparent finish and a back adhesive foampad. With 3 widths available.


12.187	25mm	x100			
12.188	38mm	x100			
12.189	76mm	x100			








INFORMATION *mm

REF 12.190  25  REF 12.191  75 

This gripper fits into most of shelving profiles. Ideal as a front support at sales line thanks to the hinge. 2 widths (25 - 75mm) are available.

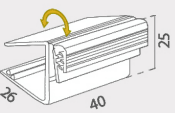





12.190	25mm	x100			
12.191	75mm	x100			



INFORMATION *mm



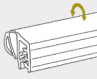

This Shelf gripper fits into most of shelving profiles. It suitable for material of 15-20mm thickness. Ideal as a side support on shelves at sales line.


12.522	40mm	x100		
--------	------	------	---	---



INFORMATION *mm

REF 12.193  25  REF 12.194  75 

This gripper fits into most of shelving profiles. Ideal as a front support on shelves thanks to the hinge. 2 widths (25 - 75mm) are available.



12.193	25mm	x100		
12.194	75mm	x100		

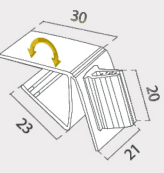
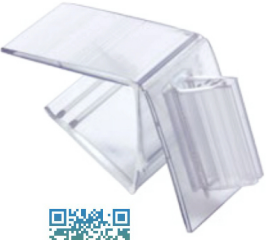




Perfiles ETIQUETEROS y PORTA ETIQUETAS

GRIPPERS |

INFORMATION *mm

This transparent hinged gripper fits onto most of shelves profiles. It holds cards of 15-22mm thickness. It is suitable for using as a stopper support at sales line.

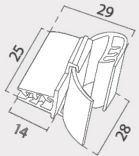







✿ 12.523 30x20mm x100 



INFORMATION *mm

This adjustable gripper fits onto most of shelves profiles. It is suitable as stopper support thanks to its adjustable viewing angle. Ideal to display messages, signs or price promotions.

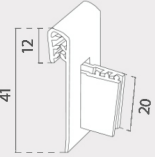







✿ 12.233 28x29mm x100 



INFORMATION *mm

This Clip Gripper fits onto label-holder profile. It is suitable for using as stopper support thanks its 20mm width Clip Gripper. Ideal to display messages, signs or promotion at the sales lines.

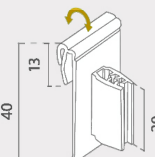




✿ 12.195 20mm x100 



INFORMATION *mm

Hinged clip fits onto any label-holder profile. It is suitable for using as a stopper support thanks to its hinge. Ideal to display signs, messages or price promotions at sales lines.



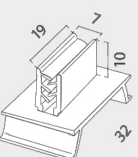





✿ 12.192 40mm x100 



INFORMATION *mm

This Spring Gripper is suitable for using as stopper support thanks to its 2 spring clips which fits onto label-holder profile. Ideal to display messages, signs or promotion at the sales lines.

✿ 12.452 20x32mm x100 



	EN	FR	PT	ES										
	Carry bag included	Avec sac de transport	Inclui bolsa de transporte	Incluye bolsa de transporte		With Adhesive	Avec adhésif	Con adesivo	Con adhesivo		Portrait / Landscape	Vertical ou horizontal	Vertical ou horizontal	Vertical u Horizontal
	One sided	Une face	Uma face	Una cara		Cardboard	Carton	Cartão	Cartón		"Click" System	Système "Click"	Sistema "Click"	Sistema "Click"
	Double-Sided	Double face	Dupla face	Doble cara		With suction pad	Avec ventouse	Com ventosa	Con ventosa		With Velcro	Avec velcro	Com Velcro	Con velcro
	With motion	Avec mouvement	Com movimento	Con movimiento		New Item	Nouvel article	Novidade	Producto nuevo		Acrylic	Acrylique	Acrílico	Acrílico
	With light	Eclairé	Com luz	Con luz		Lightweight	Poids léger	Leve	Ligero		Economic	Économique	Económico	Económico
	LED Technology	Technologie LED	Tecnologia LED	Tecnología LED		Extraweight	Poids supplémentaire	Peso extra	Peso extra		Tools required	Outils nécessaire	Montagem com ferramentas	Requiere herramientas
	Telescopic	Télescopique	Telescópico	Telescópico		Flexible	Flexible	Flexível	Basculante		No tools required	Aucun outil requis	Montagem sem ferramentas	No requiere herramientas
	Printed on fabric	Impression sur toile	Impressão têxtil	Impresión sobre textil		Magnetic	Aimanté	Magnético	Magnético	QTY	Quantity	Quantité	Quantidade	Cantidad
	With lock	Avec serrure	Com fechadura	Con cerradura		Plug-in	A Brancher	Elétrico	A corriente	NW	Net weight	Poids net	Peso líquido	Peso neto
	Rainproof	Imperméable	Impermeável	Impermeable		Big Sizes	Grandes tailles	De grandes dimensões	Grandes dimensiones	GW	Gross weight	Poids brut	Peso bruto	Peso bruto
	Suitable for outdoor use	Pour l'extérieur	Para exterior	Para exterior		Portrait	Verticale	Vertical	Vertical	CBM	Cubic meter	Metres cubes	Metro cúbico	Metro cúbico
	With spotlights	Avec spot	Com focos	Focos incluidos		Landscape	Horizontale	Horizontal	Horizontal	Size	Measures	Mesures	Medidas	Medidas



CONTACTE CON NOSOTROS ¡AHORA!

Escribanos, llámenos o venga a visitarnos a nuestras instalaciones. Estaremos encantados de atenderle. Para conocernos un poco más visite nuestra **web corporativa**.

DIRECCIÓN

La Cartelera y el Equipamiento Comercial, SL

Calle Luis I, 45 Nave A
Poligono Industrial de Vallecas
28031 Madrid

info@doncarteltienda.es

Teléfono gratuito de atención a clientes:
900 897 122

Horario de Lunes a Jueves:
De 9 a 14 h y de 16 a 18 h.

Horario Viernes: De 9 a 14 h.



@doncarteltienda



facebook.com/doncarteltienda



google.com/+DoncarteltiendaEstuweb



https://es.linkedin.com/in/doncarteltienda



https://www.flickr.com/photos/doncarteltienda



youtube.com/c/DoncarteltiendaEstuweb



instagram.com/doncarteltienda/



es.pinterest.com/doncarteltienda/doncarteltienda



doncarteltienda.es/blog/feed/

